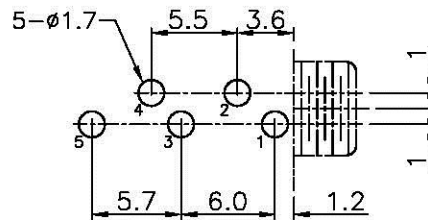
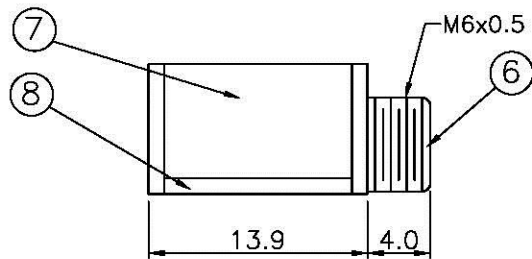
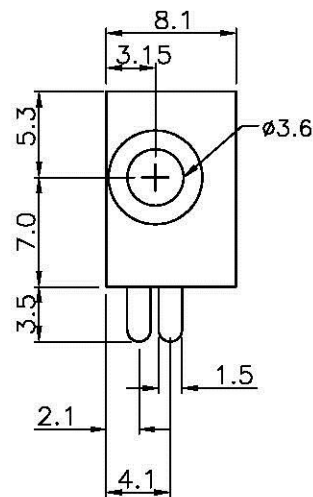
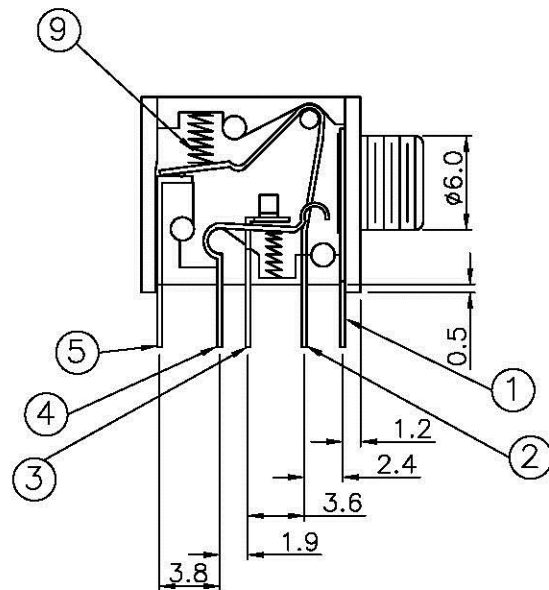


REV.	ECN.	DATE	DWN	APVD

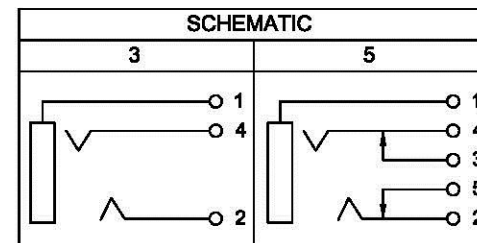


PCB LAYOUT
(BOTTOM VIEW)



SPECIFICATION:

CURRENT RATING : DC 12V, 2A MAX.
AC 100V, 1A MAX.
DIELECTRIC WITHSTANDING VOLTAGE : 500V AC PER MINUTE
INSULATION RESISTANCE : 100MΩ MIN. AT 500V DC.
CONTACT RESISTANCE : 30mΩ MAX.



Order Information :

J E B 0 4 - 5 4 T 1 B 1 0 - R
1 2 3 4 5 6 7

1. SERIES NUMBER	JEB04 : ø3.5mm EARPHONE JACK
2. SCHEMATIC OPTION	3 , 5 (SEE ABOVE DRAWING)
3. TERMINAL PLATING	T : TIN
4. INSULATOR COLOR	1 : BLACK
5. INSULATOR MATERIAL	B : PBT
6. BUSING PLATING	1 : NICKEL
7. GREEN PRODUCT	BLANK : NOT GREEN PRODUCT R : RoHS COMPLIANT

NO.	NAME	MATERIAL	FINISH	Q'ty
1	EARTH TERMINAL	BRASS T=0.3	TIN PLATED	1
2	TIP SPRING	PHOSPHOR BRONZE T=0.3	TIN PLATED	1
3	RING SHUNT	PHOSPHOR BRONZE T=0.3	TIN PLATED	1
4	RING SPRING	PHOSPHOR BRONZE T=0.3	TIN PLATED	1
5	TIP SHUNT	BRASS T=0.3	TIN PLATED	1
6	BUSHING	BRASS	NICKEL PLATED	1
7	HOUSING	PBT+FIBER	BLACK	1
8	COVER	PBT+FIBER	BLACK	1
9	SPRING	STAINLESS STEEL	NICKEL PLATED	2

Allconnectors
www.allconnectors.de
Tel.: 0049 711 7009503
40754 Hilderstadt - Germany

Info@allconnectors.de
Fax: 0049 711 7009504
Kettnerstr. 25

SIZE A4	UNIT mm	SCALE 2 / 1	SHEET 1 OF 1	
------------	------------	----------------	-----------------	--

GENERAL TOLERANCE ± 0.3 ANGLE TOLERANCE ± 1° RADIUS ± 0.25 HOLE ± 0.13	DRAWN. JEAN	DATE 01 - 24 - 2006	DRAWING NO. JEB04-X4T1B10-R	C11010
	CHECKED. HENRY	DATE 02 - 06 - 2006	TITLE. ø3.5mm EARPHONE JACK	
	APPROVED. HENRY	DATE 02 - 06 - 2006	PART NO. JEB04-X4T1B10-R	REV A.0