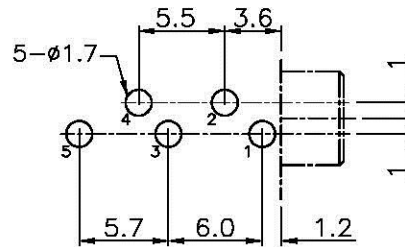
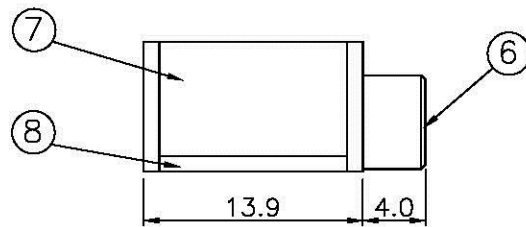
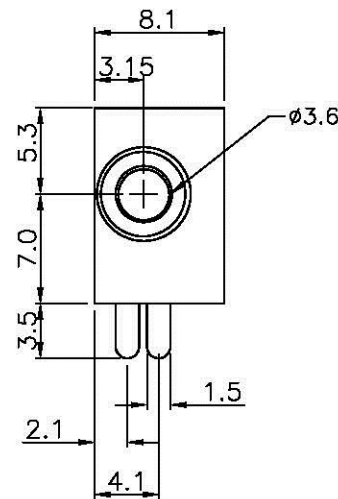
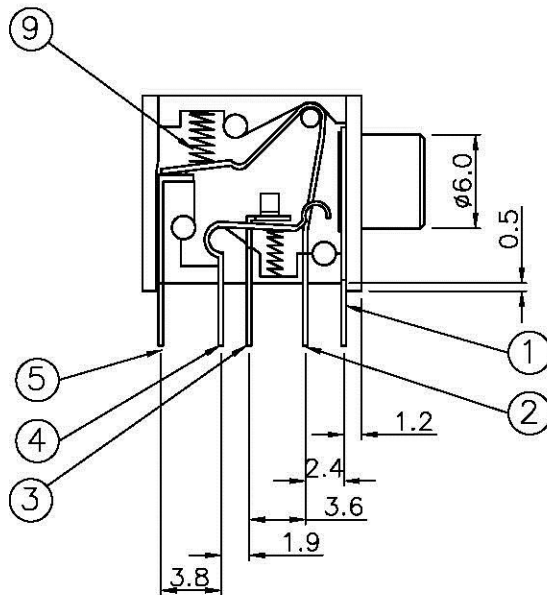


REV.	ECN.	DATE	DWN	APVD



PCB LAYOUT  
(BOTTOM VIEW)



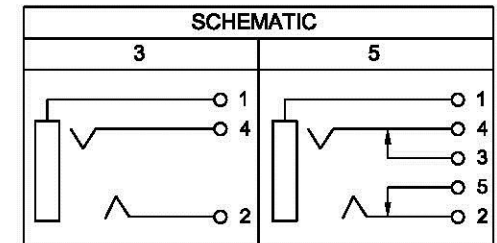
**SPECIFICATION:**

CURRENT RATING : DC 12V, 2A MAX.  
AC 100V, 1A MAX.

DIELECTRIC WITHSTANDING VOLTAGE : 500V AC PER MINUTE

INSULATION RESISTANCE : 100MΩ MIN. AT 500V DC.

CONTACT RESISTANCE : 30mΩ MAX.



**Order Information :**

J E B 0 4 - 5 3 T 1 B 1 0 - R  
1 2 3 4 5 6 7

NO.	NAME	MATERIAL	FINISH	Q'ty
1	EARTH TERMINAL	BRASS T=0.3	TIN PLATED	1
2	TIP SPRING	PHOSPHOR BRONZE T=0.3	TIN PLATED	1
3	RING SHUNT	PHOSPHOR BRONZE T=0.3	TIN PLATED	1
4	RING SPRING	PHOSPHOR BRONZE T=0.3	TIN PLATED	1
5	TIP SHUNT	BRASS T=0.3	TIN PLATED	1
6	BUSHING	BRASS	NICKEL PLATED	1
7	HOUSING	PBT+FIBER	BLACK	1
8	COVER	PBT+FIBER	BLACK	1
9	SPRING	STAINLESS STEEL	NICKEL PLATED	2

1. SERIES NUMBER	JEB04 : ø3.5mm EARPHONE JACK
2. SCHEMATIC OPTION	3 , 5 (SEE ABOVE DRAWING)
3. TERMINAL PLATING	T : TIN
4. INSULATOR COLOR	1 : BLACK
5. INSULATOR MATERIAL	B : PBT
6. BUSHING PLATING	1 : NICKEL
7. GREEN PRODUCT	BLANK : NOT GREEN PRODUCT R : RoHS COMPLIANT

**All Connectors**  
www.allconnectors.de  
Tel.: 0049 711 700503  
70774 Filberstadt - Germany

info@allconnectors.de  
Fax: 0049 711 700504  
Kettnerstr. 25

SIZE A4	UNIT mm	SCALE 2 / 1	SHEET 1 OF 1	
------------	------------	----------------	-----------------	--

GENERAL TOLERANCE

± 0.3

ANGLE TOLERANCE ± 1°  
RADIUS ± 0.25  
HOLE ± 0.13

DRAWN.	JEAN	DATE	01 - 24 - 2006	DRAWING NO.	JEB04-X3T1B10-R	C11010
CHECKED.	HENRY	DATE	01 - 09 - 2006	TITLE.	ø3.5mm EARPHONE JACK	
APPROVED.	HENRY	DATE	01 - 09 - 2006	PART NO.	JEB04-X3T1B10-R	REV A.0