

REV.	ECN.	DATE	DWN	APVD

SPECIFICATION:

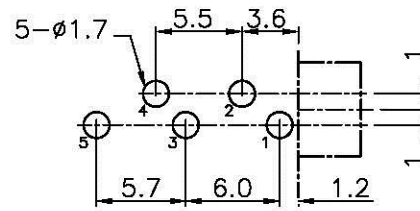
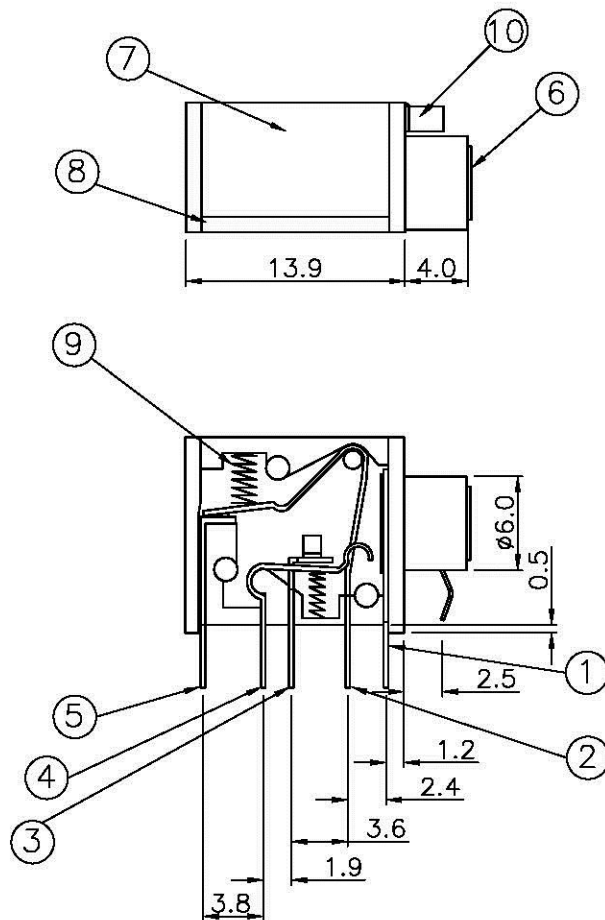
CURRENT RATING : DC 12V, 2A MAX.

AC 100V, 1A MAX.

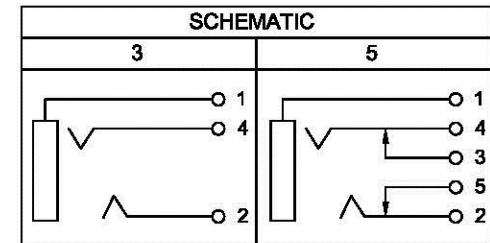
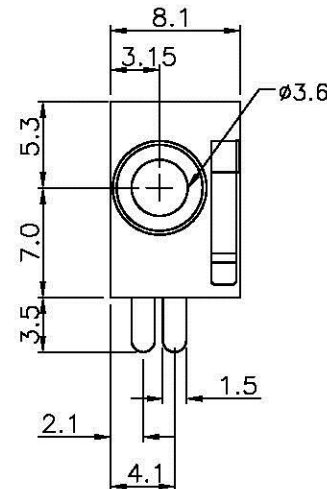
DIELECTRIC WITHSTANDING VOLTAGE : 500V AC PER MINUTE

INSULATION RESISTANCE : 100MΩ MIN. AT 500V DC.

CONTACT RESISTANCE : 30mΩ MAX.



PCB LAYOUT
(BOTTOM VIEW)



Order Information :

J E B 0 4 - 5 1 T 1 B 1 1 - R
1 2 3 4 5 6 7 8

1. SERIES NUMBER	JEB04 : Ø3.5mm EARPHONE JACK
2. SCHEMATIC OPTION	3 , 5 (SEE ABOVE DRAWING)
3. TERMINAL PLATING	T : TIN
4. INSULATOR COLOR	1 : BLACK 4 : ORANGE(157C) 5 : YELLOW(123C) 6 : LIME(577C) 7 : LIGHT BLUE(284C) Q : PINK(701C)
5. INSULATOR MATERIAL	B : PBT
6. BUSHING PLATING	1 : NICKEL
7. SPECIAL OPTION	1 : WITH SPRING
8. GREEN PRODUCT	BLANK : NOT GREEN PRODUCT R : RoHS COMPLIANT

NO.	NAME	MATERIAL	FINISH	Q'ty
1	EARTH TERMINAL	BRASS T=0.3	TIN PLATED	1
2	TIP SPRING	PHOSPHOR BRONZE T=0.3	TIN PLATED	1
3	RING SHUNT	PHOSPHOR BRONZE T=0.3	TIN PLATED	1
4	RING SPRING	PHOSPHOR BRONZE T=0.3	TIN PLATED	1
5	TIP SHUNT	BRASS T=0.3	TIN PLATED	1
6	BUSHING	BRASS	NICKEL PLATED	1
7	HOUSING	PBT+FIBER		1
8	COVER	PBT+FIBER		1
9	SPRING	STAINLESS STEEL	NICKEL PLATED	2
10	SPRING	STAINLESS STEEL T=0.2		1

Allconnectors
 www.allconnectors.de
 Tel.: 0049 713 7005103
 70754 Biberstadt Germany

Info@allconnectors.de
 Fax: 0049 713 7005104
 Kirtelmeistr. 25

SIZE A4	UNIT mm	SCALE 2 / 1	SHEET 1 OF 1	
------------	------------	----------------	-----------------	--

GENERAL TOLERANCE

± 0.3

ANGLE TOLERANCE ± 1°
RADIUS ± 0.25
HOLE ± 0.13

DRAWN.

JEAN

DATE

01 - 24 - 2006

DRAWING NO.

JEB04-X1TXB11-R

C11010

CHECKED.

HENRY

DATE

02 - 06 - 2006

TITLE.

Ø3.5mm EARPHONE JACK WITH SPRING

APPROVED.

HENRY

DATE

02 - 06 - 2006

PART NO.

JEB04-X1TXB11-R

REV A.0