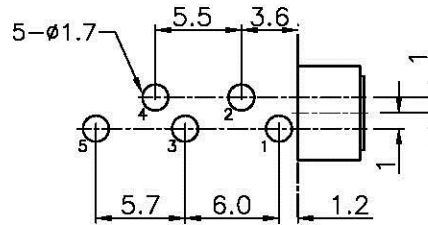
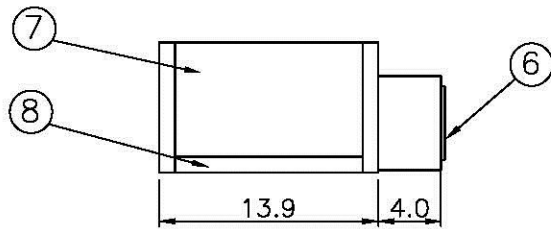
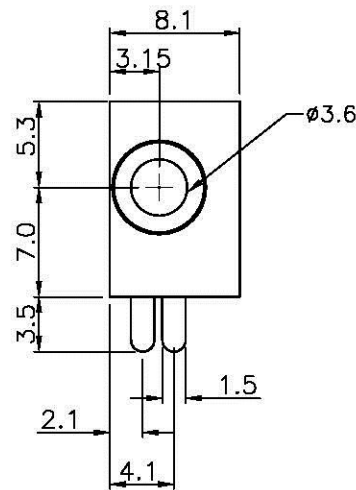
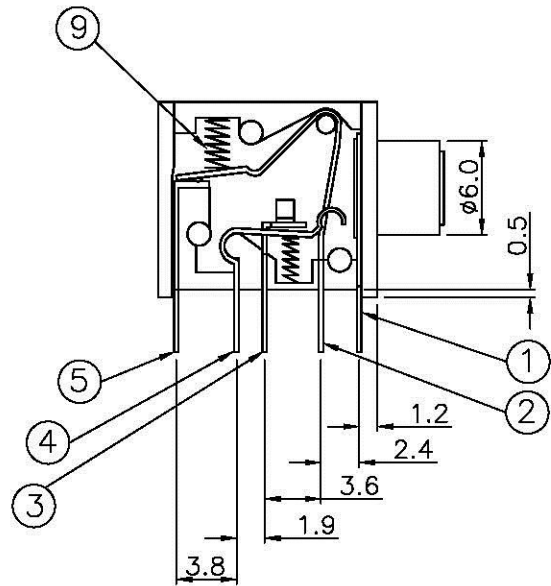


REV.	ECN.	DATE	DWN	APVD



PCB LAYOUT  
(BOTTOM VIEW)



### SPECIFICATION:

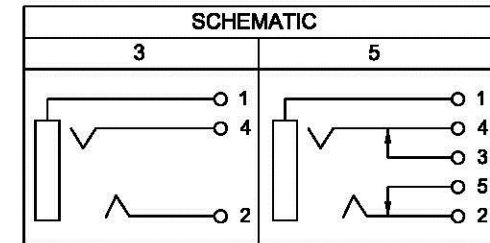
CURRENT RATING : DC 12V, 2A MAX.

AC 100V, 1A MAX.

DIELECTRIC WITHSTANDING VOLTAGE : 500V AC PER MINUTE

INSULATION RESISTANCE : 100MΩ MIN. AT 500V DC.

CONTACT RESISTANCE : 30mΩ MAX.



### Order Information :

J E B 0 4 - 5 1 T 1 B 1 0 - R  
1 2 3 4 5 6 7

1. SERIES NUMBER	JEB04 : ø3.5mm EARPHONE JACK
2. SCHEMATIC OPTION	3 , 5 (SEE ABOVE DRAWING)
3. TERMINAL PLATING	T : TIN
4. INSULATOR COLOR	1 : BLACK 4 : ORANGE(157C) 5 : YELLOW(123C) 6 : LIME(577C) 7 : LIGHT BLUE(284C) Q : PINK(701C)
5. INSULATOR MATERIAL	B : PBT
6. BUSHING PLATING	1 : NICKEL
7. GREEN PRODUCT	BLANK : NOT GREEN PRODUCT R : RoHS COMPLIANT

NO.	NAME	MATERIAL	FINISH	Q'ty
1	EARTH TERMINAL	BRASS T=0.3	TIN PLATED	1
2	TIP SPRING	PHOSPHOR BRONZE T=0.3	TIN PLATED	1
3	RING SHUNT	PHOSPHOR BRONZE T=0.3	TIN PLATED	1
4	RING SPRING	PHOSPHOR BRONZE T=0.3	TIN PLATED	1
5	TIP BREAK	BRASS T=0.3	TIN PLATED	1
6	BUSHING	BRASS	NICKEL PLATED	1
7	HOUSING	PBT+FIBER		1
8	COVER	PBT+FIBER		1
9	SPRING	STAINLESS STEEL	NICKEL PLATED	2

**Allconnectors**  
www.allconnectors.de  
Tel.: 0049 711 7003063  
70794 Filberstadt Germany

info@allconnectors.de  
Fax: 0049 711 7069091  
Kellerstr. 25

SIZE A4	UNIT mm	SCALE 2 / 1	SHEET 1 OF 1	
------------	------------	----------------	-----------------	--

GENERAL TOLERANCE

± 0.3

ANGLE TOLERANCE ± 1°  
RADIUS ± 0.25  
HOLE ± 0.13

DRAWN.	JEAN	DATE	01 - 24 - 2006
CHECKED.	HENRY	DATE	02 - 06 - 2006
APPROVED.	HENRY	DATE	02 - 06 - 2006

DRAWING NO.	JEB04-X1TXB10-R	C11010
TITLE.	ø3.5mm EARPHONE JACK	
PART NO.	JEB04-X1TXB10-R	REV A.0