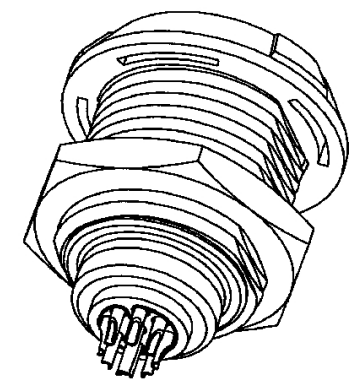
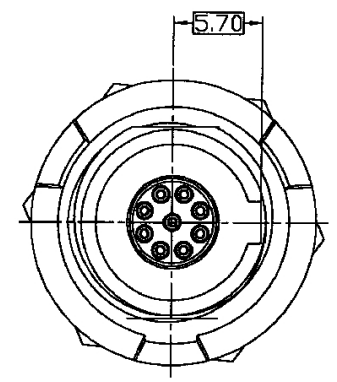
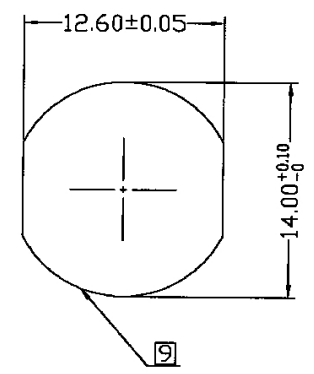
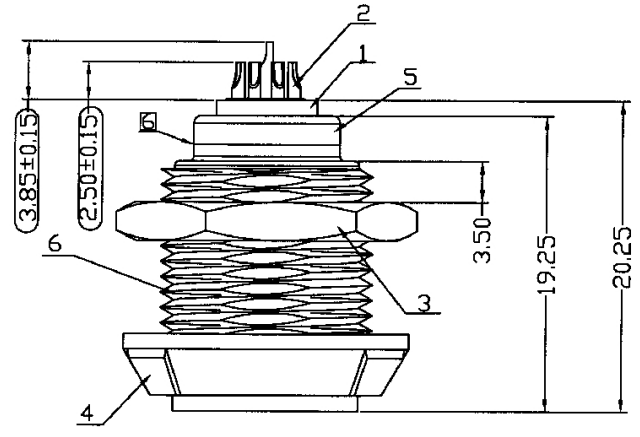


DESCRIPTION

6	RECEPTACLE HOUSING A TYPE
5	RECEPTACLE COVER
4	FRONT NUT
3	HEX NUT
2	CONTACT
1	INSERT
NO.	PART NAME



3D 參考圖

▲ 備注:
(Remark)

- 1.材質：外殼：PSU
(Material: Shell : PSU)
絕緣體：PEEK
(Insert: PEEK)
端子：磷青銅
(Contacts: Phosphor Bronze)
線夾：PSU
(Cable collect: PSU)
螺帽：PSU
(Back Nut: PSU)
金屬螺母：黃銅
(Nut: Brass)
- 2.所有的尺寸都以毫米為單位
(Dimensions in "mm")
- 3.符合ROHS
(RoHS compliant)
- 4.以Q做標識的尺寸需經QC制程管制
(QC control item "Q")
- 5.芯數：02.04.05.06.07.08.09.10.14芯
(available pin- 2, 4, 5, 6, 7, 8, 9, 10, 14)
- 6.超音波焊接處的破壞力最小是10kg
(Ultrasonic welding solder force: 10kg min.)
- 7.螺母的扭力是1.5Nm
(screw torque: 1.5Nm)
- 8.(與公端成品)插拔力為2kg
(mating/unmating force: 2kg)
- 9.安裝孔的尺寸
(Recommended Panel Cutout)
- 10.solder temperature: 350±5°C, 2 Seconds

PP9-SSPA-xx-LF
LEADFREE

RoHS Compliant

<p>www.allconnectors.eu info@allconnectors.eu Tel. +49 (0)711 / 358 110 20 Fax +49 (0)711 / 358 110 25</p>	PART NO. PP9-SSPA-xx		CHECKED BY CY	TOLERANCES ARE .X ± 0.2 .XX ± .XXX ± AWG	DESCRIP TION:	AREA	REVISIONS	HK	DATE
	DWG NO. PP9-SSPA-xx								
A	FILE NO.		PROJECTION						
	UNIT / mm	SCALE 1:1							