

JMD19 POWER CONNECTOR

[Back to product list](#)

Type

The Male Connector: JMD-19Z

The Female Connector: JMD-19T

Operating Environment

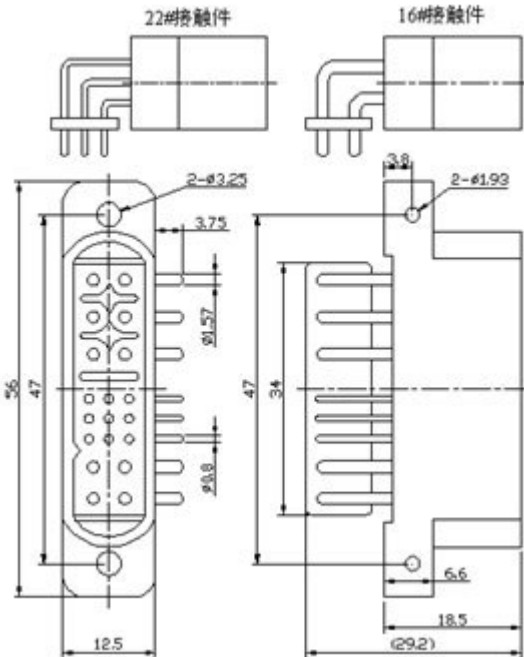
Operating Temperature	-55 to + 125 °C
Relative Humidity	98% (40 °C)
Vibration	10 to 2,000Hz (a = 147m/s ²)
Shock	Acceleration 980m/s ²



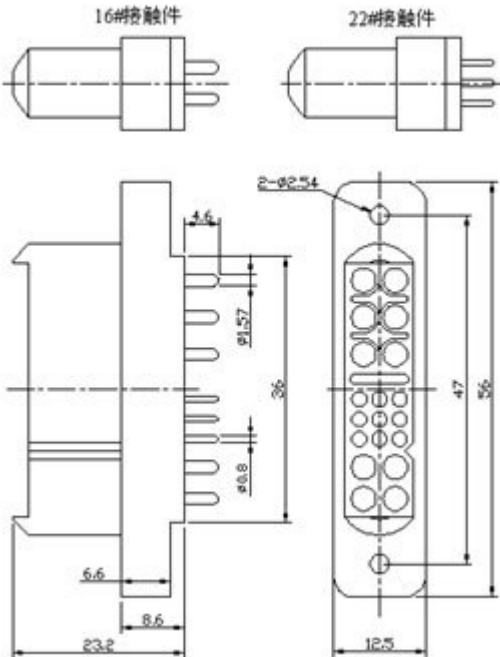
Main Technical Specifications

Insulation Resistance		≥ 1,000MΩ		
Mechanical Life		1,000 times		
Housing Material		PET G30 UL94V-0 Black		
Contact	Spec.	Signal Contact	Power Contact	
		#22	#16	
	Quantity	9	10	
	Rated Current	3A	15A	
	Contact Resistance	≤13.0mΩ	≤2.5mΩ	
	Withstand Voltage	1,000V	1,500V	
	Surface Material	Gold plated over nickel		
	Terminal Style	Pins: PCB Tail (Bending Pin); Sockets: #22, PCB Tail; #16, Crimping, PCB Tail		
	Material	Pin and Socket	Brass or copper	
		Crown Spring	Beryllium bronze	

External Sizes and Installation Dimensions (mm)



JMD-19Z



JMD-19T