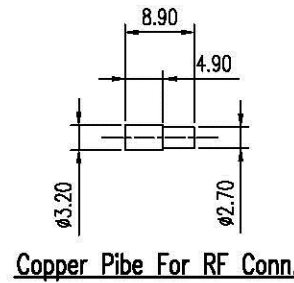
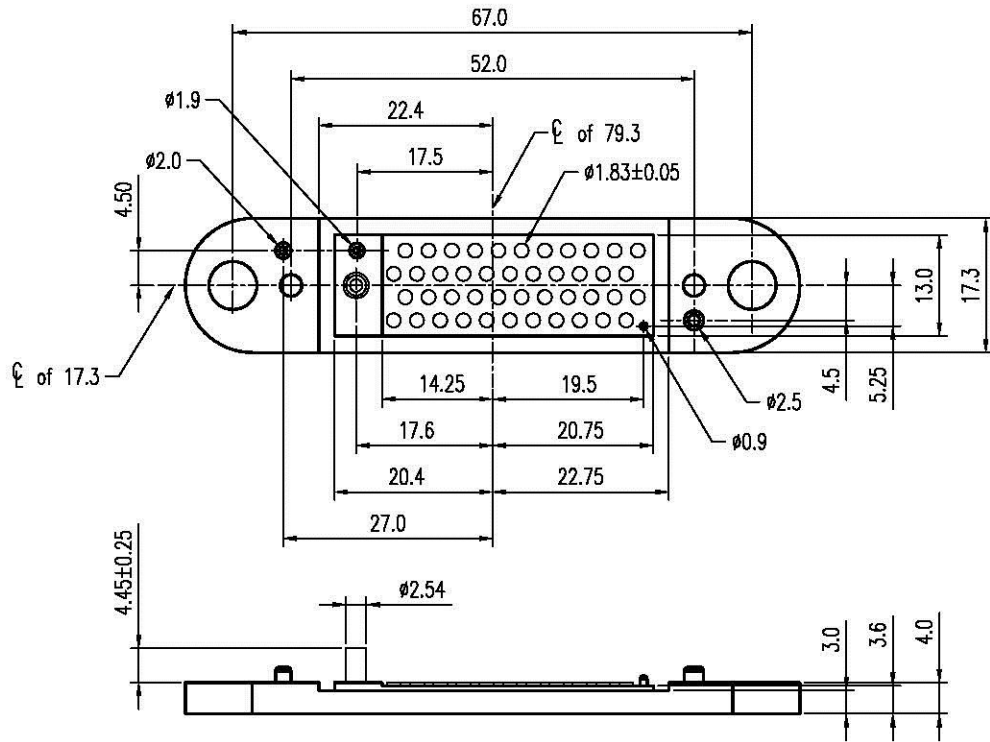
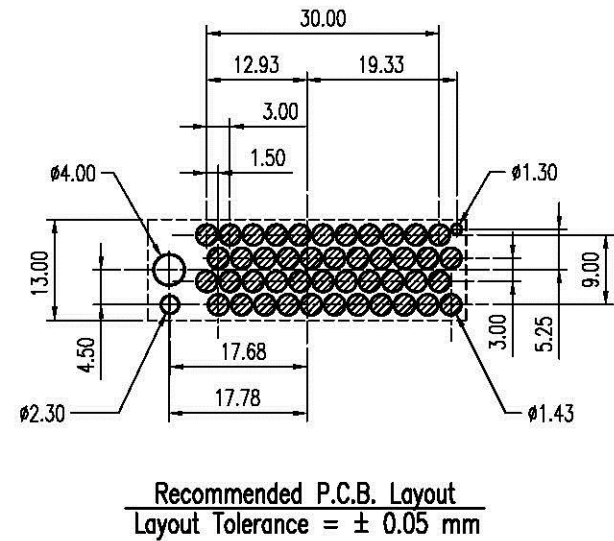
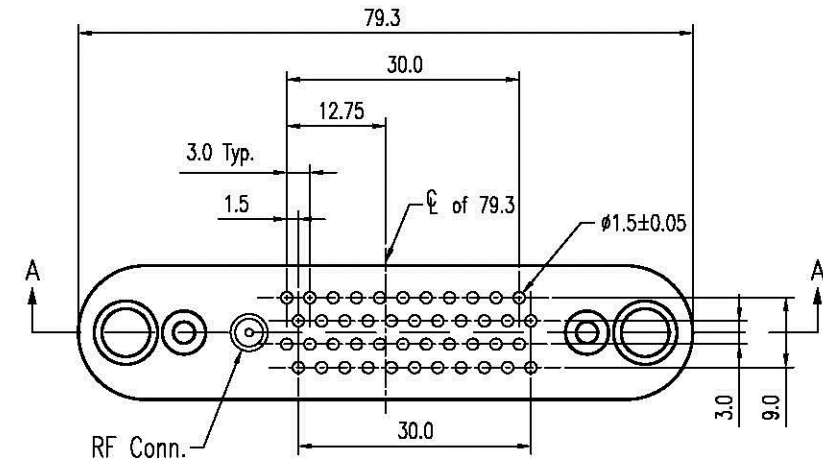
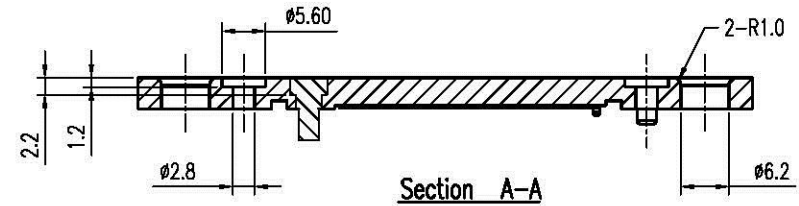


REV.	DESCRIPTION	ECN NO.	DATE	DRAWER
A	New Release		07/08/2005	Ben
B	Modified by Customer Design	EC0510011	10/11/2005	Tom



Notes:

- Material :
Housing : Thermoplastic UL 94V-0, Black
Terminal : Copper Alloy
- Finish :
Terminal : 20u" Gold, 50u" Ni Under-plated Overall
- Order Information :
TPR1-01120-70Y6



DIMENSION IN mm [inch]	
Tolerance unless otherwise specified	
X. ± 0.38	X.' ± 10'
X.X ± 0.25	X.X' ± 5'
X.XX ± 0.20	X.XX' ± 2'
X.XXX ±	X.XXX' ±

Allconnectors

www.allconnectors.de
Tel.: 0340 711 7008503
Küppersbusch - Germany
info@allconnectors.de
Fax: 0340 711 7008504
Kettenerstr. 2b

Title **3.0mm Pitch 44 Pins Plane SMT Conn. With R/F**

Dwg No. **TPR1-01120-70Y6**

File No. **PO2017**

Approver:

Checker:

Drawer: **Tom**

10/11/2005

