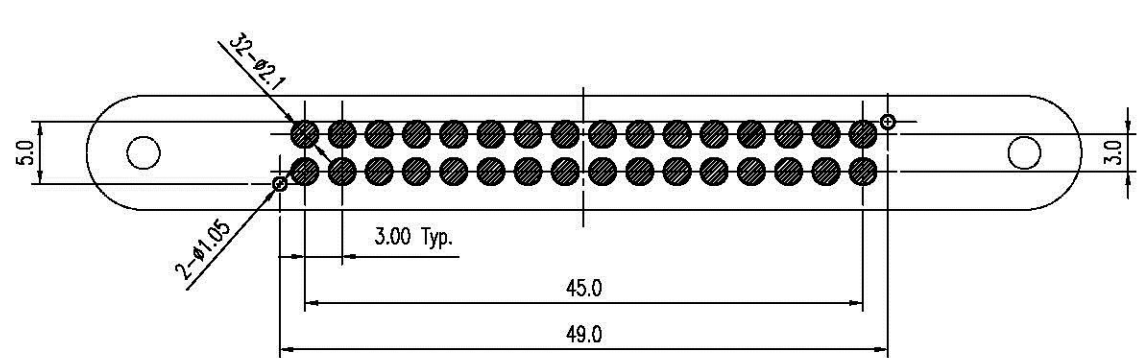
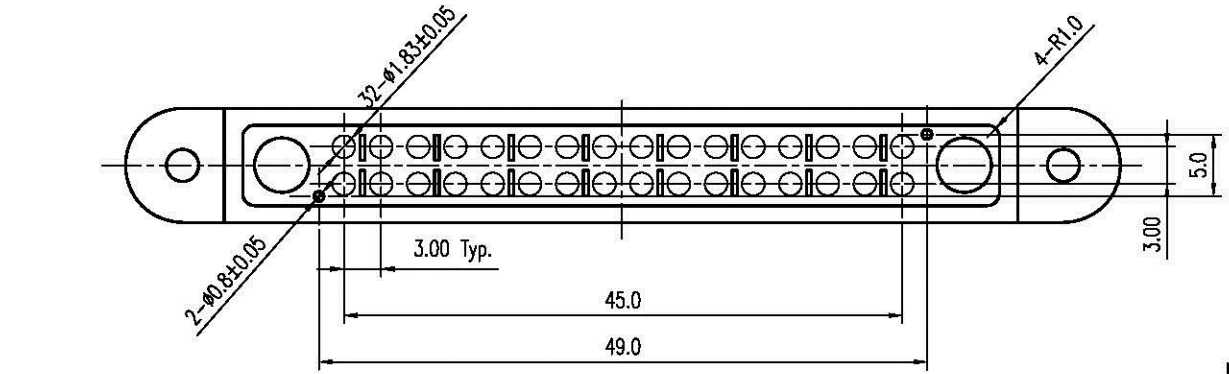
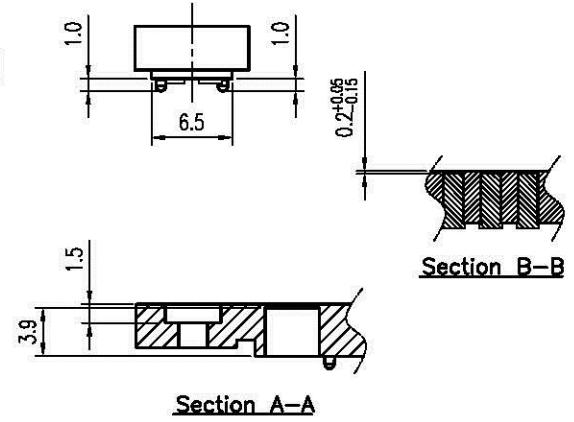
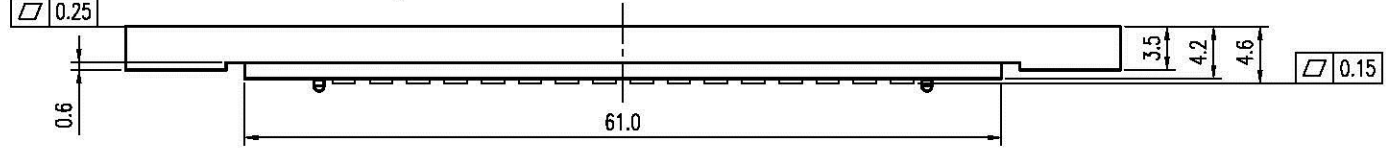
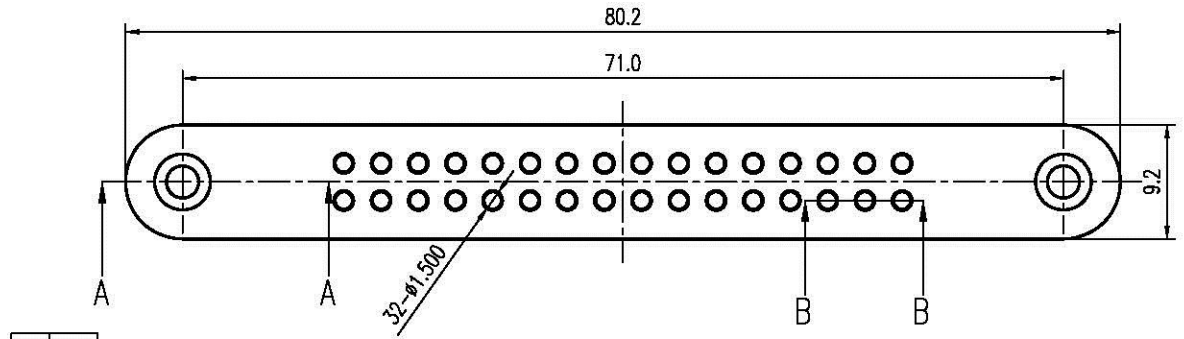


REV.	DESCRIPTION	ECN NO.	DATE	DRAWER
A	New Release	--	05/25/2010	Tom



- Notes:**
- Material :
Housing : Thermoplastic UL 94V-0, Black
Terminal : Copper Alloy
 - Finish :
Terminal : 20u" Gold on Contact Area, 50u" Min. Ni
Under-plated Overall
 - Order Information :
TPRO-11111-00T6A

Recommended P.C.B. Layout
Layout Tolerance = ± 0.05 mm

DIMENSION IN mm [inch]		All Connectors	
Tolerance unless otherwise specified			
X.	± 0.20	X.'	± 10'
X.X	± 0.15	X.X'	± 5'
X.XX	± 0.10	X.XX'	± 2'
X.XXX		X.XXX'	±

Title 3.0mm Pitch 32 Pin Machine Pin Conn. (Without RF.)		Scale: 1.6 : 1
Dwg No. TPRO-11111-00T6A		
File No. P10011		Size: A 4
Apprver:		Rev : A
Checker:		Sheet: 1 / 1
Drawer: Tom		05/25/2010

