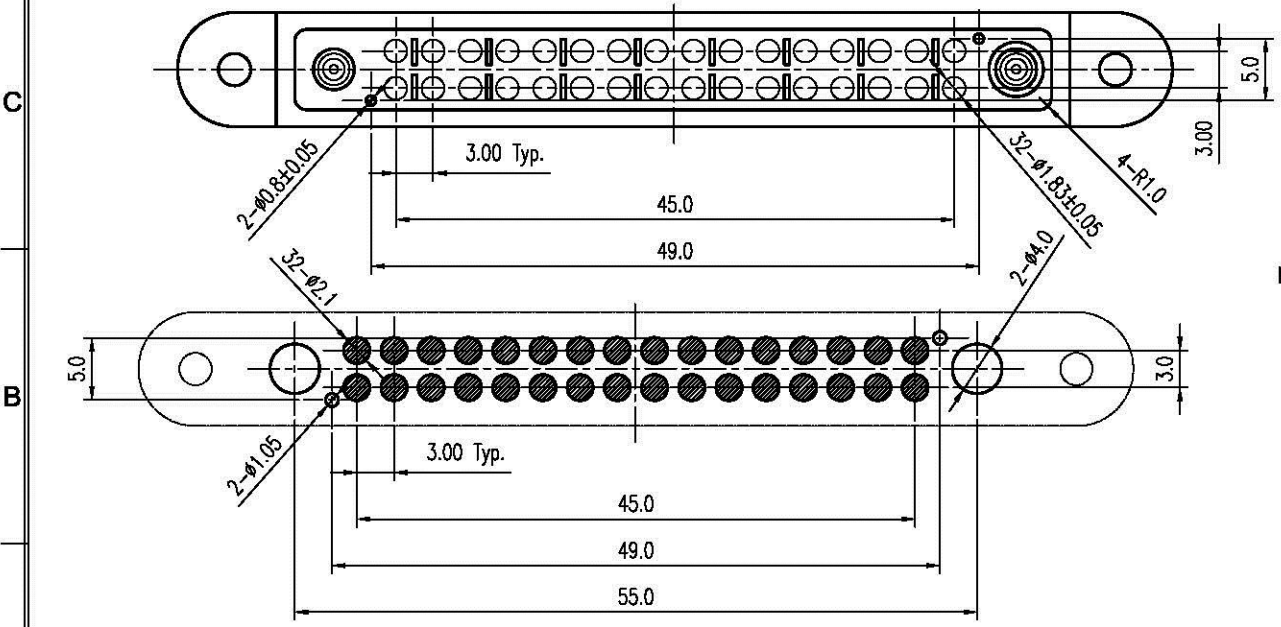
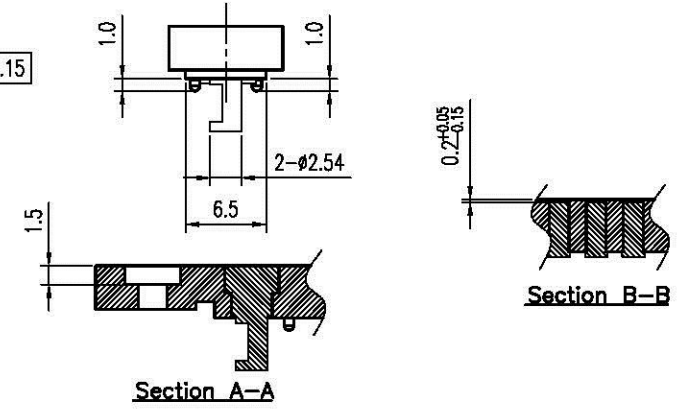
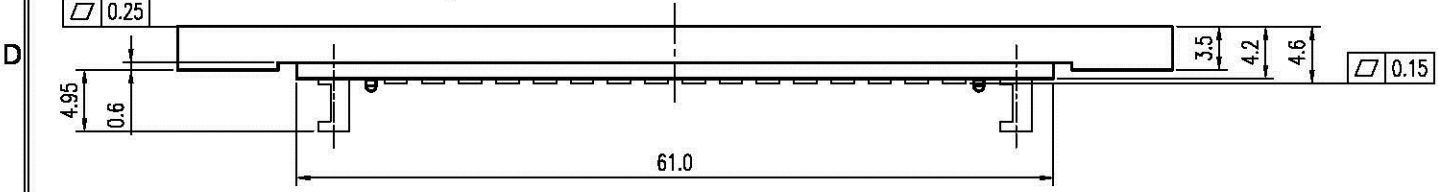
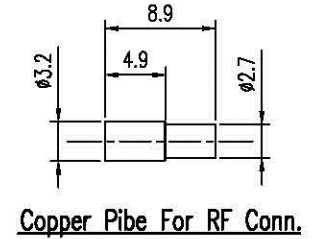
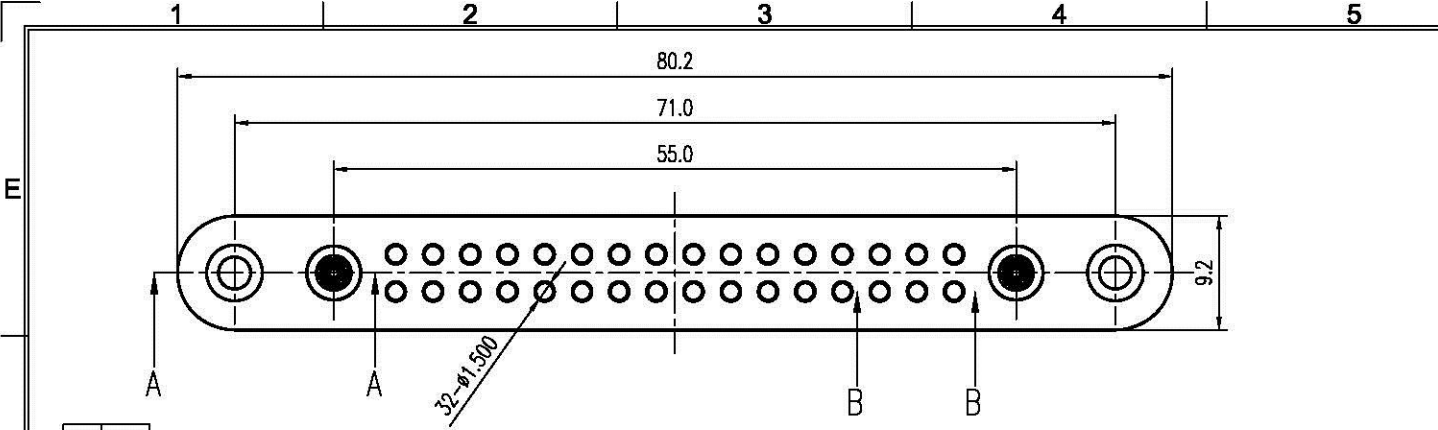


REV.	DESCRIPTION	ECN NO.	DATE	DRAWER
A	New Release	--	05/25/2010	Tom



- Notes:
- Material :
Housing : Thermoplastic UL 94V-0, Black
Terminal : Copper Alloy
 - Finish :
Terminal : 20u" Gold on Contact Area, 50u" Min. Ni Under-plated Overall
 - Order Information :
TPRO-11001-00T6A

Recommended P.C.B. Layout
Layout Tolerance = ± 0.05 mm

DIMENSION IN mm [inch]		All Connectors	
Tolerance unless otherwise specified			
X. ± 0.20	X.' ± 10'	<small>www.allconnectors.com Tel: 0049 713 400605 Fax: 0049 713 400601 Kettnerstr. 22</small>	
X.X ± 0.15	X.X' ± 5'		
X.XX ± 0.10	X.XX' ± 2'		
X.XXX ±	X.XXX' ±		
Approver:		Checker:	

Title	3.0mm Pitch 32 Pin Machine Pin Conn. (With RF.)
Dwg No.	TPRO-11001-00T6A
File No.	P10011
Scale:	1.6 : 1
Size:	A 4
Rev :	A
Sheet:	1 / 1

