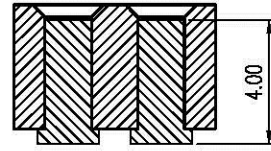
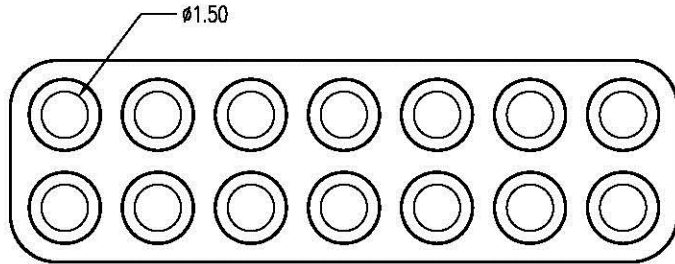


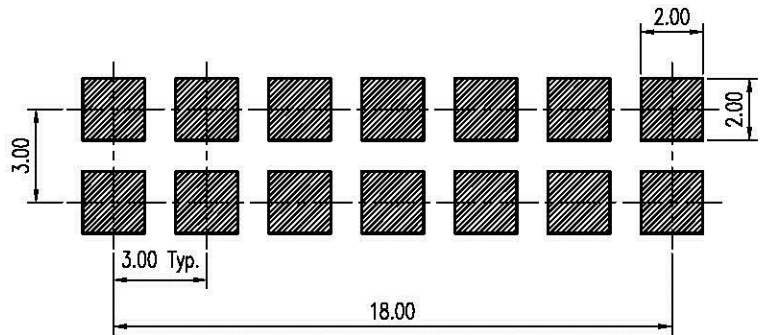
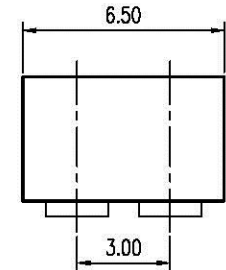
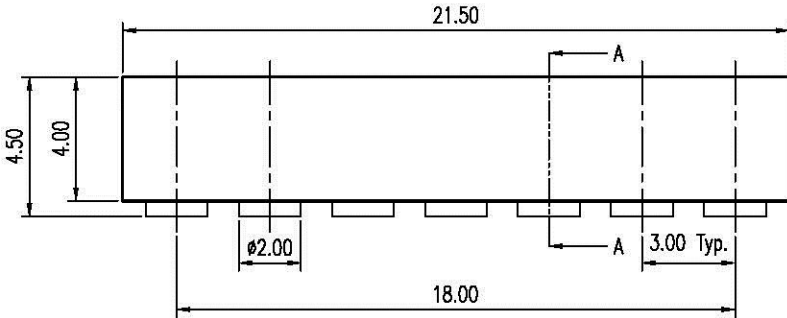
REV.	DESCRIPTION	ECN NO.	DATE	DRAWER
A	New Release		06/26/2008	Aaron



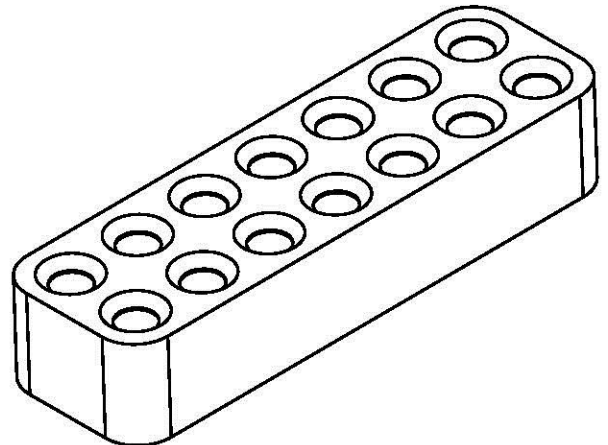
Section A-A

Notes:

- Material :  
Housing : Thermoplastic UL 94V-0 , Black  
Terminal : Copper Alloy
- Finish :  
Terminal : Selected Gold over 50u" Min. Ni  
Under-plated Overall
- Order Information :  
PN0-01501-00T X  
T : RoHS(for High Temperature)  
Plating  
6 : 20u" Min. Gold Overall



Recommended P.C.B. Layout  
Layout Tolerance = ± 0.05 mm



DIMENSION IN mm [inch]			Title 3.0mm Pitch Battery Conn. Female Type		
Tolerance unless otherwise specified			Dwg No. TPNO-01501-00TX		
X. ± 0.38	X.' ± 10'	<small>www.allconnectors.de Tel: 0049 731 7009503 76751 Filbertal - Germany</small>	<small>info@allconnectors.de Fax: 0049 731 7009504 Kellernstr. 25</small>	File No. PO8016	Scale: 4 : 1
X.X ± 0.38	X.X' ± 5'	CUSTOMER DRAWING		Rev : A	Size: A 4
X.XX ± 0.25	X.XX' ± 2'	Approver:	Checker:	Drawer: Aaron	Sheet: 1 / 1
X.XXX ± 0.13	X.XXX' ±			06/26/2008	