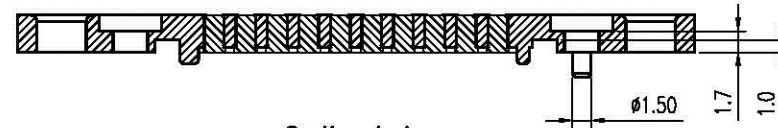
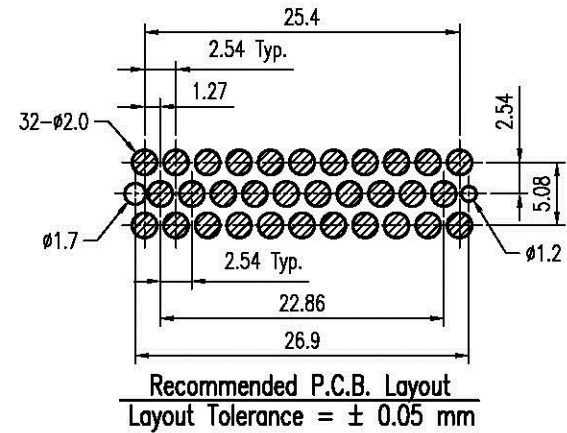
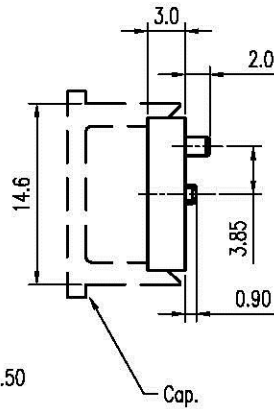
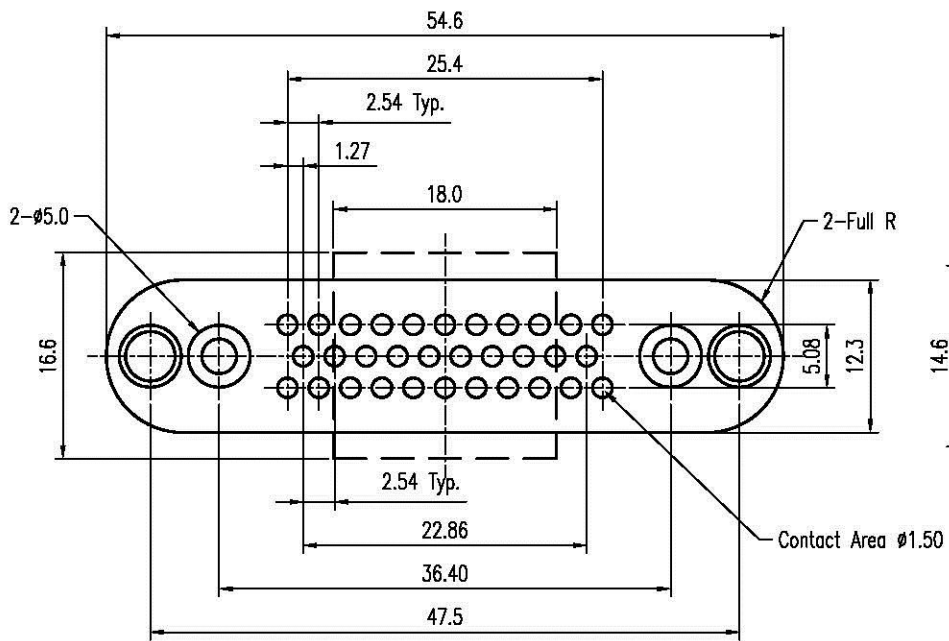
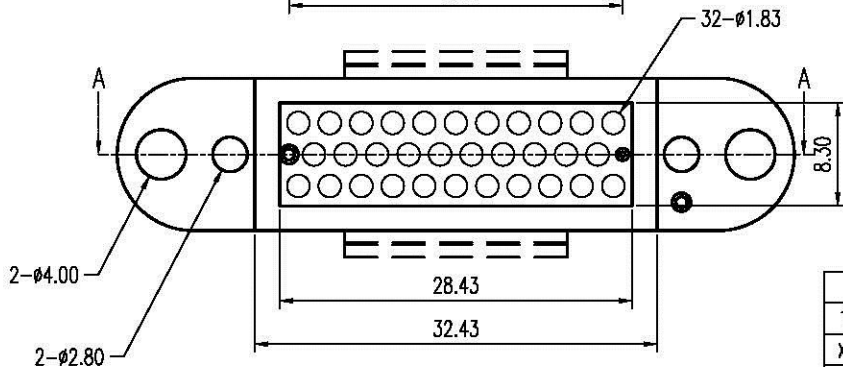
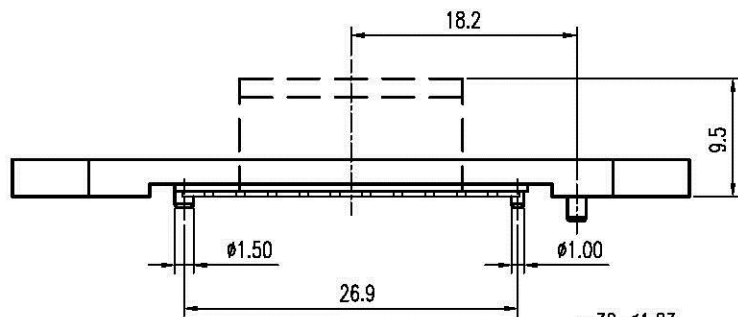


REV.	DESCRIPTION	ECN NO.	DATE	DRAWER
A	New Release		04/23/2007	Tom



Section A-A



Notes:

- Material :
Housing : Thermoplastic UL 94V-0, Black
Terminal : Copper Alloy
- Finish :
Terminal : Selected Gold on Contact Area , Gold Flash on Solder Tails Both over 50u" Ni Under-plated Overall.
- Order Information :

T PE1-02032-20 X X
T: RoHS
Packing
R: Tape Reel With Cap
1: Tube With Cap
T: Tube Without Cap
Plating
6 : 20u" Min. Gold on Contact Area

DIMENSION IN mm [inch]	
Tolerance unless otherwise specified	
X. \pm	X.' \pm 10'
X.X \pm 0.38	X.X' \pm 5'
X.XX \pm 0.25	X.XX' \pm 2'
X.XXX \pm 0.13	X.XXX' \pm

All Connectors

www.allconnectors.de
Tel.: 0345 711 7030/403
Fax: 0345 711 7030/104
Kollmannstr. 25

Title
Waterproof 32 Pins SMT Conn.

Dwg No. TPE1-02032-20XX

File No. P02032

Approver:

Checker:

Drawer: Tom

04/23/2007

Scale: 1.6 : 1
Size: A 4
Rev : A
Sheet: 1 / 1