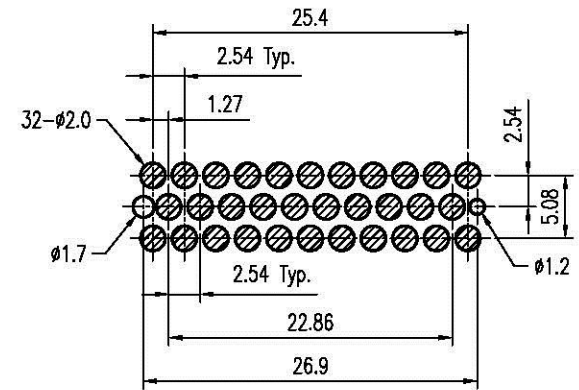
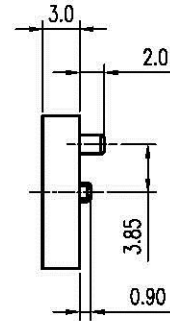
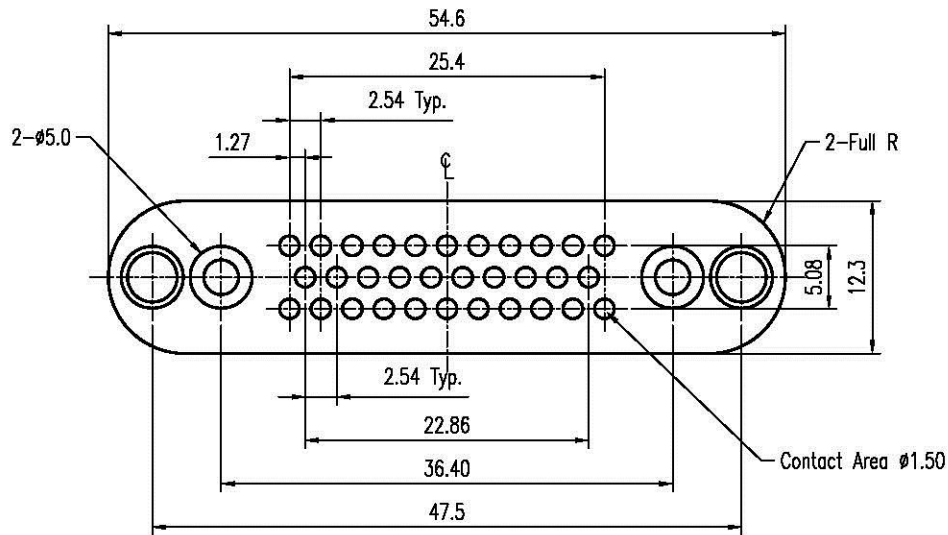
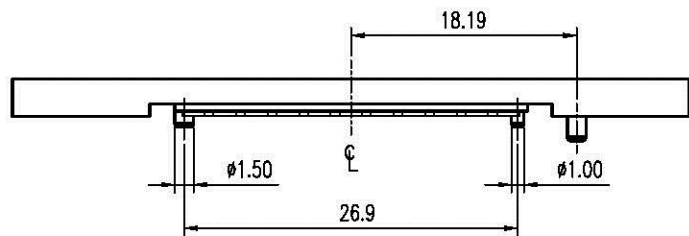


REV.	DESCRIPTION	ECN NO.	DATE	DRAWER
A	New Release		03/17/2004	Ben
B	Modified by Customer Design	EC0410013	10/20/2004	Tom
C	Modified by Customer Design	EC0606060	07/04/2006	Tom



Recommended P.C.B. Layout
Layout Tolerance = ± 0.05 mm



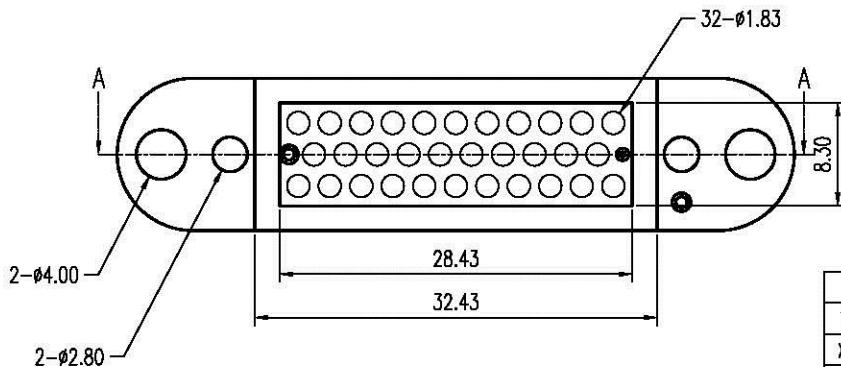
Section A-A

Notes:

- Material :
Housing : Thermoplastic UL 94V-0, Black
Terminal : Copper Alloy
- Finish :
Terminal : Selected Gold on Contact Area , Gold Flash on Solder Tails Both over 50u" Ni Under-plated Overall.
- Order Information :

TPE1-02032-00T X

Plating
6 : 20u" Gold



DIMENSION IN mm [inch]			
Tolerance unless otherwise specified			
X.	\pm	X.'	$\pm 10'$
X.X	± 0.38	X.X'	$\pm 5'$
X.XX	± 0.25	X.XX'	$\pm 2'$
X.XXX	± 0.13	X.XXX'	\pm

Allconnectors

www.allconnectors.de
info@allconnectors.de
Tel.: 0049 711 7099504
70794 Mitterstadt - Germany
Kettnerstr. 25

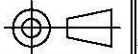
CUSTOMER DRAWING

Approver:

Checker:

Drawer: Tom

07/04/2006



Title
Waterproof 32 Pins SMT Conn.

Dwg No. TPE1-02032-00TX

File No. PO2032

Scale: 1.6 : 1

Size: A 4

Rev : C

Sheet: 1 / 1