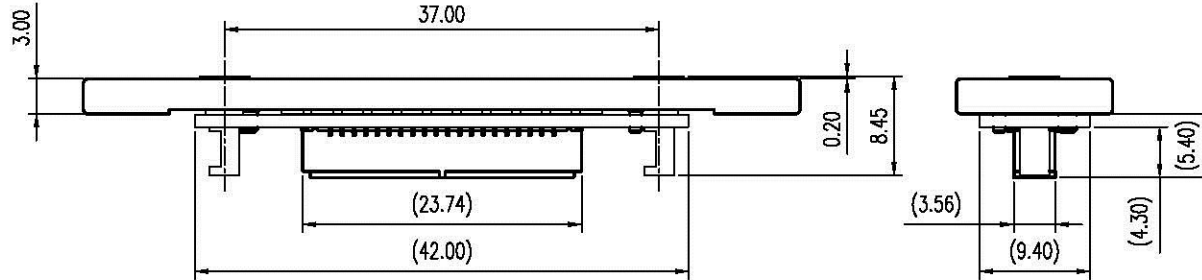
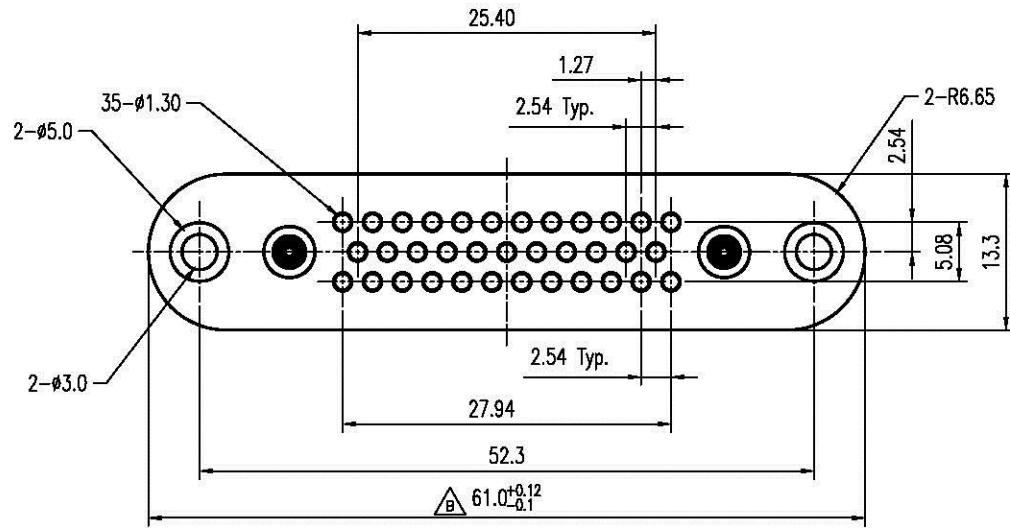
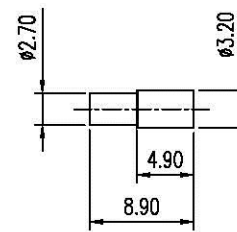


REV.	DESCRIPTION	ECN NO.	DATE	DRAWER
A	New Release		07/01/2008	Tom
B	Modified by Customer $\triangle_B$ x 3	EC0809001	09/01/2008	Tom

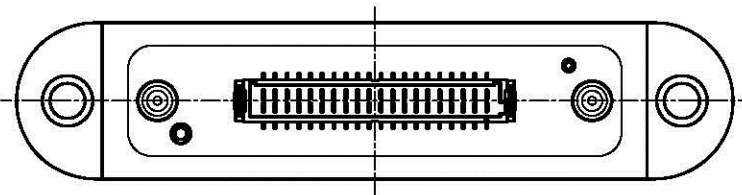


**Notes:**

- Material :  
Housing : Thermoplastic UL 94V-0, Black  
Terminal : Copper Alloy
- Finish :  
Terminal : 20u" Gold on Contact Area,  
50u" Min. Ni Under-plated Overall
- Order Information : TPE0-02735-12T6



Copper Pipe For RF Conn.



DIMENSION IN mm [inch]	
Tolerance unless otherwise specified	
X. ± 0.30	X.' ± 10'
X.X ± 0.25	X.X' ± 5'
X.XX ± 0.20	X.XX' ± 2'
X.XXX	X.XXX' ±

**Allconnectors**

www.allconnectors.com  
1411-10049-211-7009620  
70724 Filderstadt - Germany  
info@allconnectors.com  
fax: 0049-7141-7009624  
Kollernwerkstr. 25

**CUSTOMER DRAWING**

Approver:

Checker:

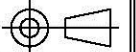
Drawer: **Tom**

09/01/2008

Title **35 Pin Machine Pin Conn.**

Dwg No. **TPE0-02735-12T6  $\triangle_B$**

File No. **P07018**



Scale: **1.5 : 1**

Size: **A 4**

Rev : **B**

Sheet: **1 / 1**