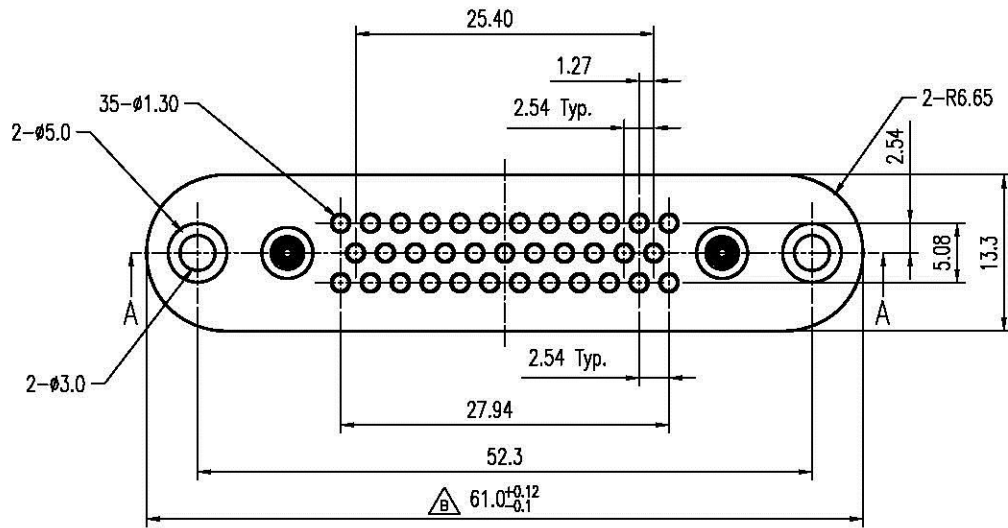
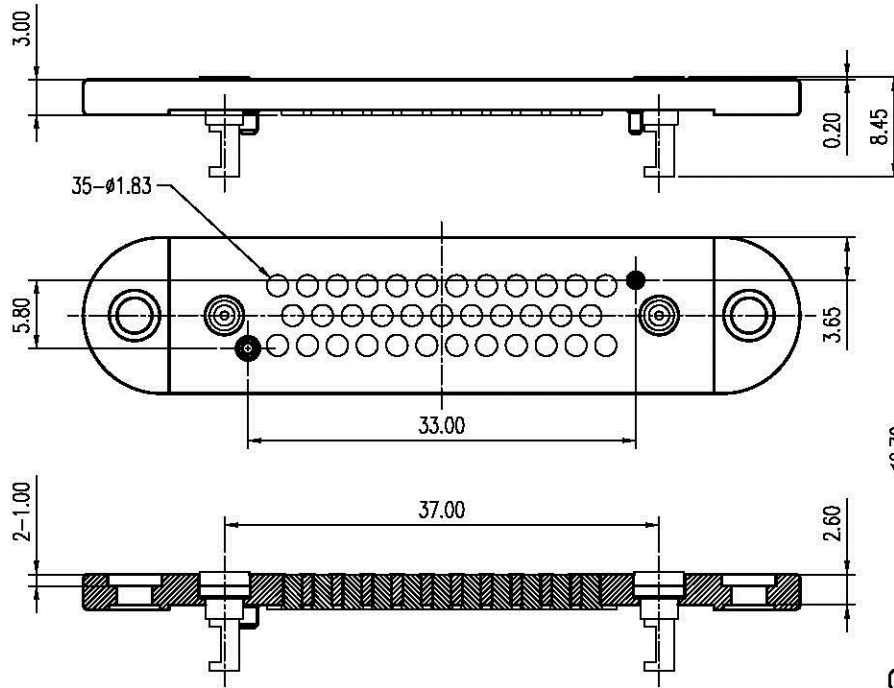


REV.	DESCRIPTION	ECN NO.	DATE	DRAWER
A	New Release		02/04/2008	Tom
B	Modified by Customer \triangle_B x 3	EC0809001	09/01/2008	Tom



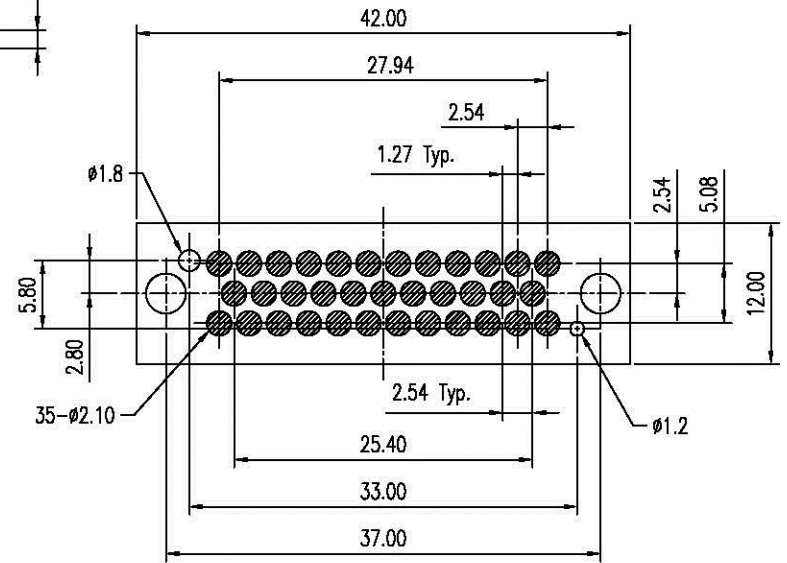
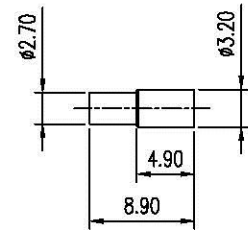
Notes:

- Material :**
Housing : Thermoplastic UL 94V-0, Black
Terminal : Copper Alloy
- Finish :**
Terminal : 20u" Gold on Contact Area,
50u" Min. Ni Under-plated Overall
- Order Information :** TPE0-02735-02T6



Section A-A

Copper Pipe For RF Conn.



Recommended P.C.B. Layout
Layout Tolerance = ± 0.05 mm

DIMENSION IN mm [inch]	
Tolerance unless otherwise specified	
X. ± 0.30	X.' $\pm 10'$
X.X ± 0.25	X.X' $\pm 5'$
X.XX ± 0.20	X.XX' $\pm 2'$
X.XXX	X.XXX' \pm

All Connectors

www.allconnectors.de
1-8-0049-713-0000-05
72794 Filderstadt - Germany

info@allconnectors.de
Fax: 0049-713-0000-04
Reklamations-25

CUSTOMER DRAWING

Approver: _____

Checker: _____

Title	Scale
35 Pin Machine Pin Conn.	1.5 : 1
Dwg No. TPE0-02735-02T6 \triangle_B	Size: A 4
File No. P07018	Rev : B
Drawer: Tom	Sheet: 1 / 1
09/01/2008	