

REV.	DESCRIPTION	ECN NO.	DATE	DRAWER
A	New Release		10/16/2007	Tom
B	Modified Dim. Information	EC0710046	10/23/2007	Kelly
C	Add Packing Option \triangle x4	EC0905064	05/22/2009	Hyde

Notes:

- Material :
Housing : Thermoplastic UL 94V-0 ,Black
Terminal : Copper Alloy
Cap : Thermoplastic UL 94V-0 , Black
- Finish :
Terminal : 20u" Min. Gold on Contact Area,
10u" Min. Gold on Solder Tails, Both
over 80u" Min. Ni Under-plated Overall
- Order Information :

TPE0-012 X 1-02 X 6

Amount of Pins:

- 2 : 4 Pins
- ?
- 9 : 18 Pins
- A : 20 Pins
- ?
- G : 32 Pins



- Packing Option:
- T : Tube
 - 1 : Cap+Tube
 - 2 : Cap+Reel

\triangle Dimension Information:

Part No.	Dim.	Amount of Pins	Dim.A	Dim.B	Dim.C
TPE0-01221-02X6	4	4	2.54	7.62	10.16
TPE0-01231-02X6	6	6	5.08	10.16	12.70
TPE0-01241-02X6	8	8	7.62	12.70	15.24
TPE0-01251-02X6	10	10	10.16	15.24	17.78
TPE0-01261-02X6	12	12	12.70	17.78	20.32
TPE0-01271-02X6	14	14	15.24	20.32	22.86
TPE0-01281-02X6	16	16	17.78	22.86	25.40
TPE0-01291-02X6	18	18	20.32	25.40	27.94
TPE0-012A1-02X6	20	20	22.86	27.94	30.48
TPE0-012B1-02X6	22	22	25.40	30.48	33.02
TPE0-012C1-02X6	24	24	27.94	33.02	35.56
TPE0-012D1-02X6	26	26	30.48	35.56	38.10
TPE0-012E1-02X6	28	28	33.02	38.10	40.64
TPE0-012F1-02X6	30	30	35.56	40.84	43.18
TPE0-012G1-02X6	32	32	38.10	43.18	45.72

Recommended P.C.B. Layout
Layout Tolerance = ± 0.05 mm

DIMENSION IN mm [inch]

Tolerance unless otherwise specified

X.	X.' $\pm 10'$
X.X ± 0.38	X.X' $\pm 5'$
X.XX ± 0.25	X.XX' $\pm 2'$
X.XXX ± 0.13	X.XXX' \pm

www.allconnectors.de
Tel: 0049 723 909924
29794 Fliedersfeld - Germany

info@allconnectors.de
Fax: 0049 723 909244
Kellerstr. 11, 25

Title: 2.54mm Pitch Pin Header
(Plane Pin Type) Dual Row

Dwg No. TPE0-012X1-02X6 \triangle

File No. P01008

Customer Drawing

Apprver: _____

Checker: _____

Drawer: **Hyde**

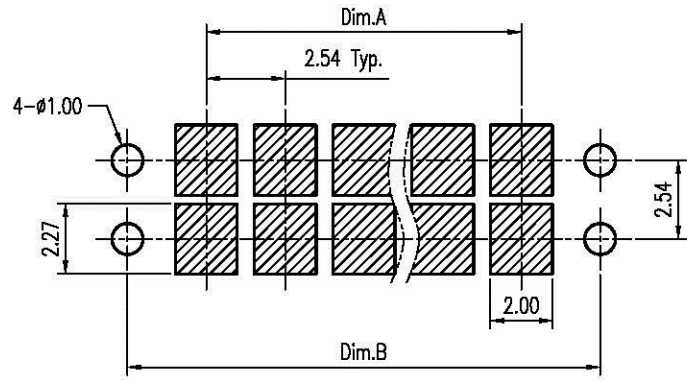
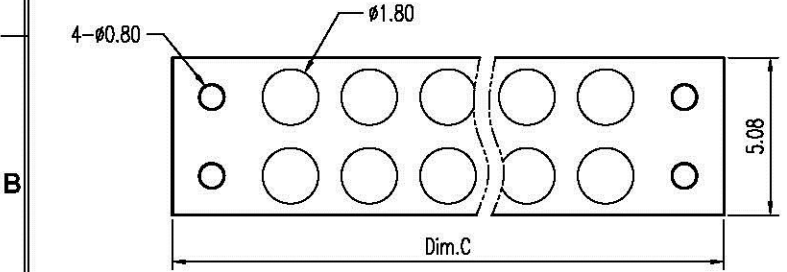
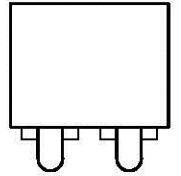
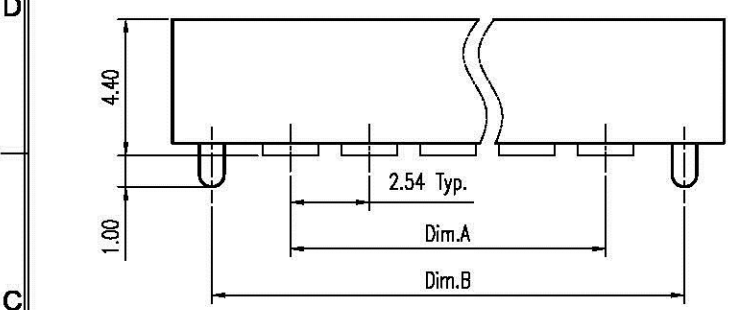
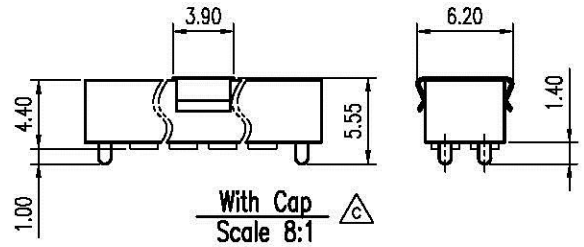
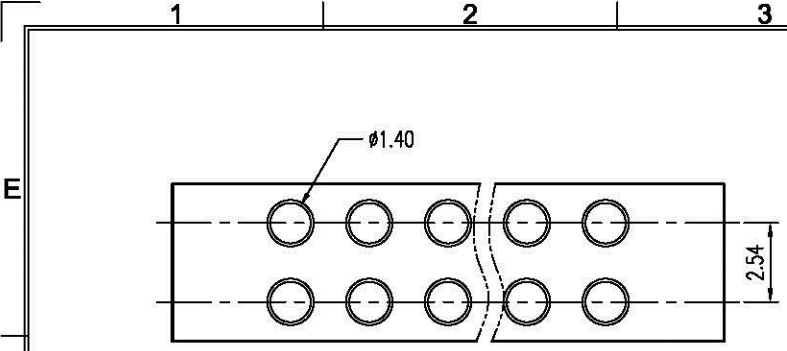
05/22/2009

Scale: 4 : 1

Size: A 4

Rev : C

Sheet: 1 / 1



A

A