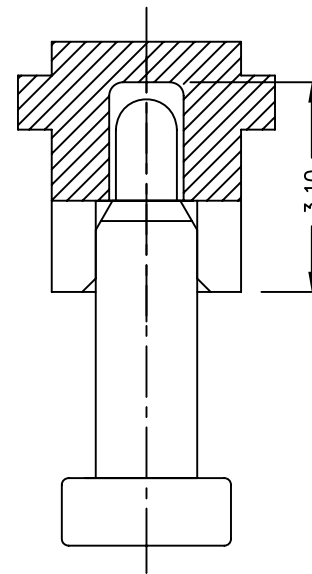
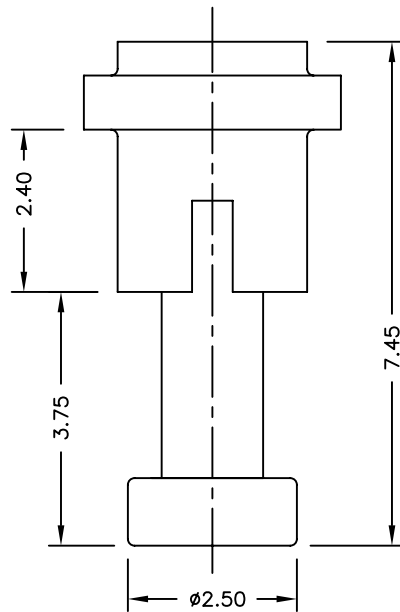
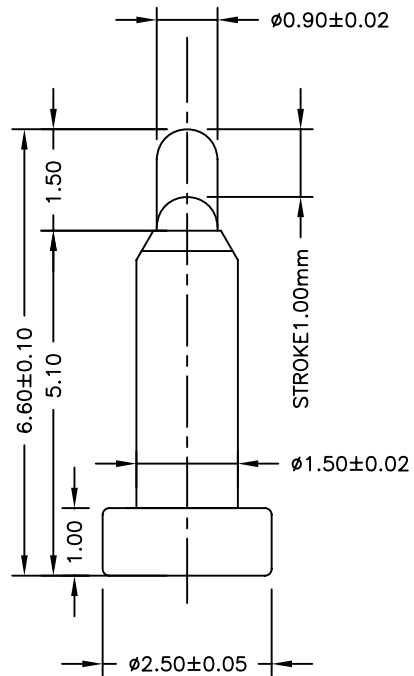


NOTE:

1. MATERIAL&FLASH/PLATED
 - 1.1 TOP PROBE: BRASS(LEAD Less Free)
PLATING: GOLD 10u" MIN ON ALL
 - 1.2 BOTTOM PROBE: BRASS(LEAD Less Free)
PLATING: GOLD 30u" MIN ON ALL
 - 1.3 CAP: HIGH TEMP. THERMOPLASTIC
UL94V-0,COLOR:BLACK
 - 1.4 SPRING: STAINLESS STEEL WIRE
2. PRODUCT SPECIFICATION
 - 2.1 STROKE: 1.0mm MIN
 - 2.2 CONTACT RESISTANCE: 50MILLIOHMS MIN
 - 2.3 WHEN THE STROKE IS 1.0mm
THE NORMAL FORCE SHALL BE 110gf±25gf
 - 2.4 DURABILITY: 10000 CYCLES,[SPRING FORCE LOSS 20%]



						UNLESS OTHERWISE SPECIFIED TOLERANCE ANG. ±5° 0. ±0.3 .0 ±0.25 .00 ±0.20		All Connectors <small>www.allconnectors.eu info@allconnectors.eu Tel. +49 (0)711 / 358 110 20 Fax +49 (0)711 / 358 110 25</small>	
						SCALE: AS SHOWN	UNIT: mm	DRAWN NAME:	
						DRAWN Willis	2009/03/04	POGO Pin Single pin H=6.6mm	
						CHECKED	/ /	PRODUCT NO. 303A-511525-000	
						APPROVED	/ /	FILE NAME: 303A-511525-000_B_1	
REV.	DESCRIPTION					DATE	SIZE A4	REV.	