

RoHS compliant

SPECIFICATION

Current Rating: 1 Amp
 Insulation Resistance: 5000 Megohms min
 Contact Resistance: 20 m ohms Max
 Dielectric Withstanding: AC 500 V
 Operating Temperature: -65 ° C to +125° C
 Contact Material: Brass
 Insulator Material: High Temperature Plastic

Processing

Max Processing Temp: 260 ° C for 6 seconds
 SMT Lead Coplanarity:
 ($0.10\text{mm}>).004''\text{max}$ (10-50)
 ($0.15\text{mm}>).006''\text{max}$ (52-100)

Ordering Code:

IMS01- X - X - X - X

① ② ③ ④ ⑤

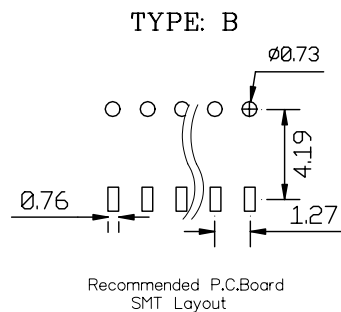
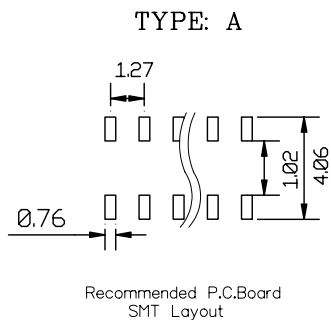
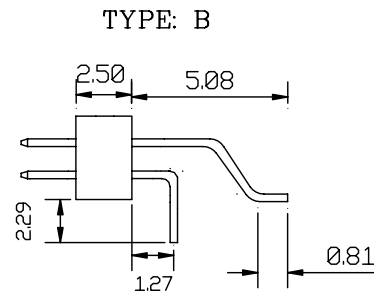
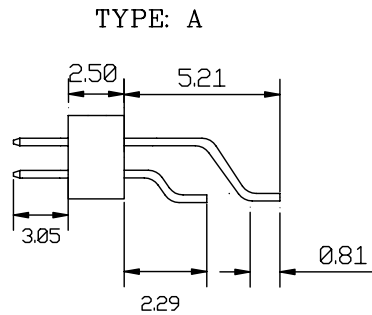
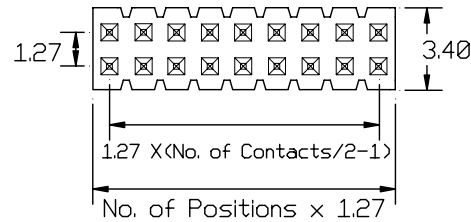
① Series No:

② No. of Contact
06 TO 80

③ Connector Type
A: Type A
B: Type B

④ Contact Plating
A: Gold Flash
E: 3u" Gold
B: 10u" Gold
C: 15u" Gold

⑤ Code Packing
A: Tube
B: Pad+Tube



UNLESS OTHERWISE SPECIFIED TOLERANCE
 ANG.
 0.
 0 ±0.25
 .00 ±0.2

Allconnectors
 www.allconnectors.eu | info@allconnectors.eu
 Tel. +49 (0)711 / 358 110 20 | Fax +49 (0)711 / 358 110 25

SCALE: AS SHOWN UNIT: mm

DRAWN

CHECKED

APPROVED

TITLE:

Micro Header SMT Type

DRAWN NO: IMS01-XXXX-1

PRODUCT NO. IMS01-XXXX

REV	DESCRIPTION	DATE
-----	-------------	------