

DPD07 2.0mm PIN HEADER, RIGHT ANGLE TYPE

Pitch: 2.0mm

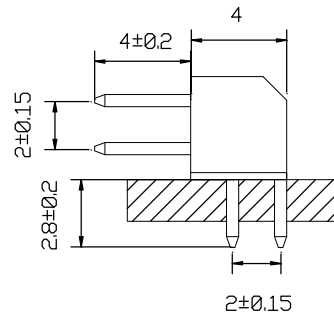
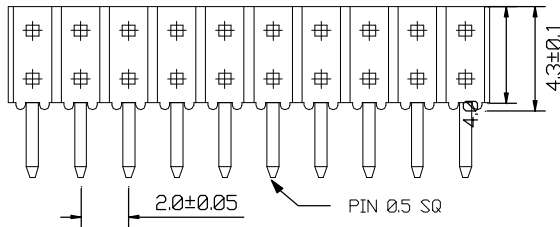
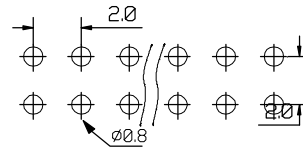
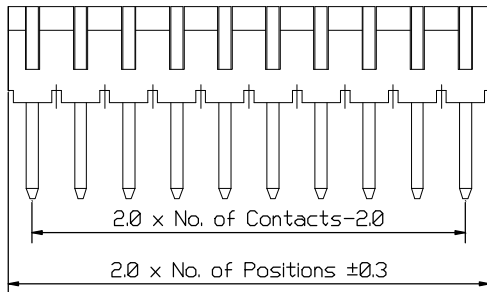
Allconnectors

www.allconnectors.eu | info@allconnectors.eu
Tel. +49 (0)711 / 358 110 20 | Fax +49 (0)711 / 358 110 25

SPECIFICATION

Current Rating: 1 Amp
 Insulation Resistance: 2000 Megohms min
 Contact Resistance: 20 m ohms Max
 Dielectric Withstanding: AC 500 V
 Operating Temperature: -40 ° C to +105° C
 Contact Material: Brass
 Insulator Material: Polyester, UL 94V-0
 © Standard : NYLON-6T

RoHS compliant



HOW TO ORDER

DPD07- [X] - [X] - [X]

NO. OF CONTACT
04 TO 70

CONTACT PLATING
H: Gold flash /Tin
© Standard: H

Code Packing
A: Tube