

RoHS compliant

SPECIFICATION

Current Rating: 1 Amp
 Insulation Resistance: 5000 Megohms min
 Contact Resistance: 20 m ohms Max
 Dielectric Withstanding: AC 500 V
 Operating Temperature: -65 ° C to +125° C
 Contact Material: Phosphor Bronze
 Insulator Material: Black Liquid Crystal Polymer

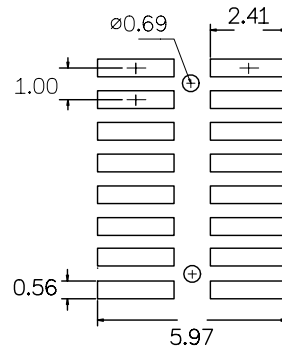
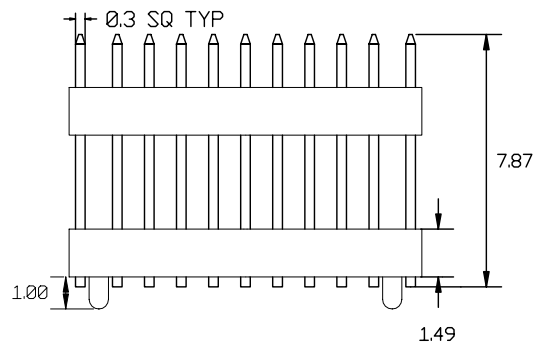
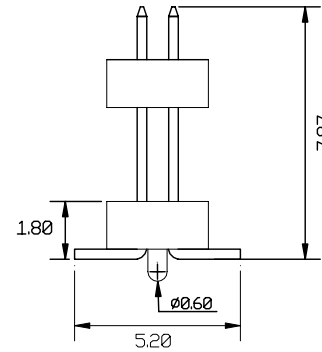
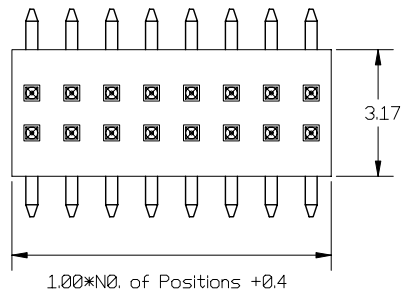
Processing

Max Processing Temp: 260 ° C for 6 seconds
 SMT Lead Coplanarity:
 (0.10mm)004"max (10-50)
 (0.15mm)006"max (52-100)

Ordering Code:

BPS02- X - X - X - X
 ① ② ③ ④ ⑤

- ① Series No:
- ② No. of Contact
06 TO 100
- ③ Contact Plating
A: Gold Flash
B: 10u" Gold
C: 15u" Gold
D: 30u" Gold
T: Tin Plated
E: 3u" Gold
- ④ Special Function
0:W/O Locating Peg
1:With Location Peg
- ⑤ Code Packing
A: Tube
B: Pad+Tube
C: Pad+T&R



Recommended P.C.B Layout

UNLESS OTHERWISE SPECIFIED TOLERANCE		 www.allconnectors.eu info@allconnectors.eu Tel. +49 (0)711 / 358 110 20 Fax +49 (0)711 / 358 110 25
ANG. 0. 0 ±0.25 .00 ±0.2		
SCALE: AS SHOWN	UNIT: mm	
DRAWN	CHECKED	TITLE: 1.0mm Pin Header, SMT Type
APPROVED	DATE	DRAWN NO: BPS02-XXXX-1
REV	DESCRIPTION	PRODUCT NO. BPS02-XXXX