

RoHS compliant

# SPECIFICATION

Current Rating: 1 Amp  
 Insulation Resistance: 5000 Megohms min  
 Contact Resistance: 20 m ohms Max  
 Dielectric Withstanding: AC 500 V  
 Operating Temperature: -65 ° C to +125° C  
 Contact Material: Phosphor Bronze  
 Insulator Material: High Temperature Plastic  
 UL94V-0

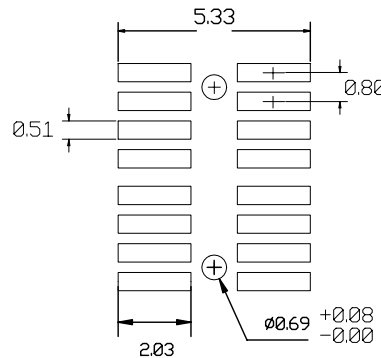
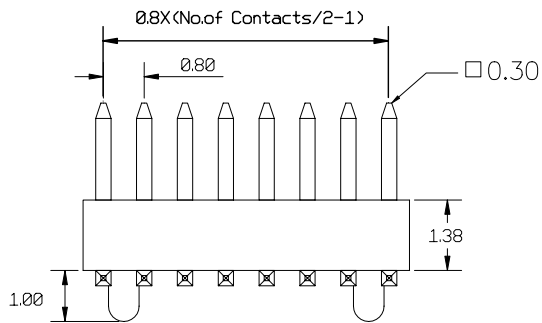
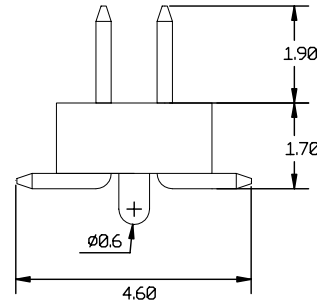
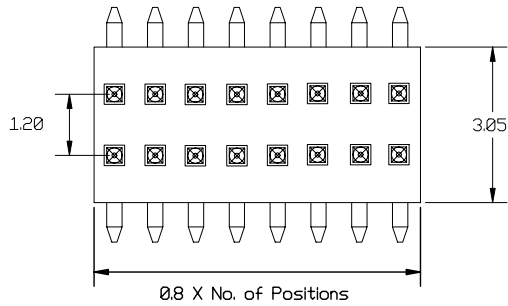
## Processing


Max Processing Temp: 260 ° C for 6 seconds  
 SMT Lead Coplanarity:  
 (<math>\varnothing 0.10\text{mm}>)\varnothing 0.4''\text{max}</math> (10-50)  
 (<math>\varnothing 0.15\text{mm}>)\varnothing 0.6''\text{max}</math> (52-100)

Ordering Code:

APS01- X - X - X - X  
 ① ② ③ ④ ⑤

- ① Series No:
- ② No. of Contact  
06 TO 100
- ③ Contact Plating  
A: Gold Flash  
E: 3u" Gold  
B: 10u" Gold  
C: 15u" Gold
- ④ Special Function  
0: W/o Locating Peg  
1: With Locating Peg
- ⑤ Code Packing  
A: Tube  
B: Pad+Tube  
C: Pad+T&R



UNLESS OTHERWISE SPECIFIED TOLERANCE		 www.allconnectors.eu   info@allconnectors.eu Tel. +49 (0)711 / 358 110 20   Fax +49 (0)711 / 358 110 25
ANG.		
0		
.0	±0.25	
.00	±0.2	
SCALE: AS SHOWN	UNIT: mm	
DRAWN	CHECKED	TITLE: 0.8mm Pin Header, SMT Type
APPROVED	DATE	DRAWN NO: APS01-XXXX-1
REV	DESCRIPTION	PRODUCT NO. APS01-XXXX