

\*\*\* 5002 Series \*\*\*

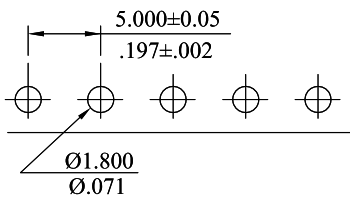
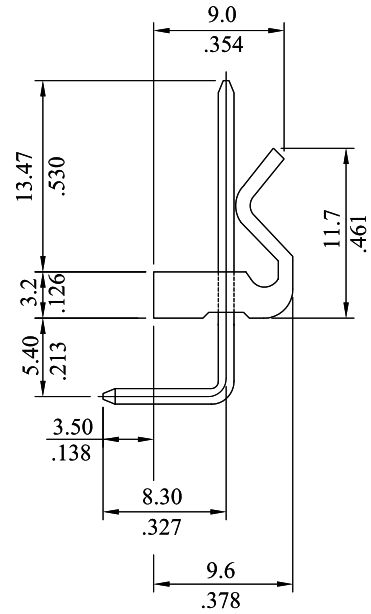
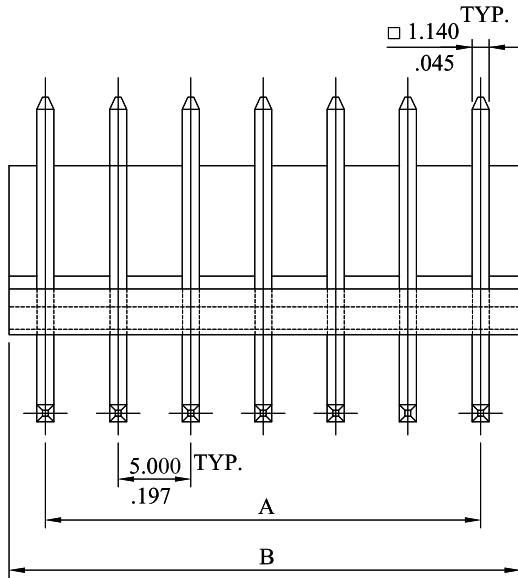
Material :

\* Insulator : Nylon 6/6, UL 94V-0

\* Contact : Brass

\* Plating : Tin plated 120 $\mu$  " min over 30 $\mu$  " min. nickel overall

RoHS COMPLIANT



Recommended Hole Pattern

Circuits	Part No.	Dimension	
		A	B
2	5002P020013	5.00(.197)	10.0(.394)
3	5002P030013	10.00(.394)	15.0(.591)
4	5002P040013	15.00(.591)	20.0(.787)
5	5002P050013	20.00(.787)	25.0(.984)
6	5002P060013	25.00(.984)	30.0(1.181)
7	5002P070013	30.00(1.181)	35.0(1.378)
8	5002P080013	35.00(1.378)	40.0(1.575)
9	5002P090013	40.00(1.575)	45.0(1.772)
10	5002P100013	45.0(1.772)	50.0(1.969)
11	5002P110013	50.0(1.969)	55.0(2.165)
12	5002P120013	55.0(2.165)	60.0(2.362)
13	5002P130013	60.0(2.362)	65.0(2.559)
14	5002P140013	65.0(2.559)	70.0(2.756)
15	5002P150013	70.0(2.756)	75.0(2.953)
16	5002P160013	75.0(2.953)	80.0(3.150)

C	ES101218		
B	ES060624		
A	DWG REL		
REV.	ECO. NO.	CHG.	APP.

**Allconnectors**  
 www.allconnectors.eu | info@allconnectors.eu  
 Tel. +49 (0)711 / 358 110 20 | Fax +49 (0)711 / 358 110 25

GENERAL TOLERANCES:  
(UNLESS SPECIFIED)

	mm	inch
1 PLACE	± 0.30	± --
2 PLACES	± 0.20	± .012
3 PLACES	± 0.10	± .008
4 PLACES	± --	± .004
ANGULAR ± ( 1° )		

APPROVED:	PART NO.: 5002P**0013				
DATE:					
CHECKED:	TITLE: HEADER				
DATE:	DRAWING NO.: 500201S				
DRAWN:					
DATE:	UNITS	SCALE	SIZE	SHEET	REV.
	$\frac{mm}{inch}$	2:1	A4	1/1	C