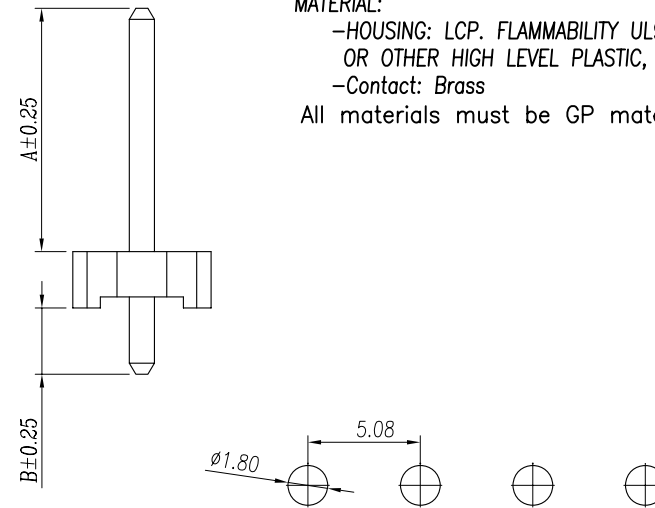


Specifications

Current Rating: 7.9Amp
 Insulation Resistance: 1000M Ω Min.
 Dielectric Withstanding: 1500V AC
 Contact Resistance: 20m Ω Max.
 Operating Temperature: -55°C to +125°C

MATERIAL:

-HOUSING: LCP. FLAMMABILITY UL94-V0
 OR OTHER HIGH LEVEL PLASTIC, COLOR:BLACK.
 -Contact: Brass
 All materials must be GP materials




Recommended P.C.B. Layout
 (Tolerance:0.05mm)

Ordering Information

HMRSS1 - XX XX XXX L B

No. of Pins Per Row: 02-20
 Standard Plating: 01=Gold Flash, 02=Gold 3U", 11=Fin, XX=Select Plating
 Pin Length: 001=11.0 /3.0, XXX=Select A/B
 Material: L=LCP, T=NL6T
 Material: B=Brass, P=Phosphoric Bronze

GENERAL TOLERANCE	ANGLE TOLERANCE	DESIGN	DATE	 www.allconnectors.eu info@allconnectors.eu Tel. +49 (0)711 / 358 110 20 Fax +49 (0)711 / 358 110 25	
		Andy2005.08.12			
X. ± 0.38	X'. $\pm 5^\circ$	CHECK	DATE	FILE NAME (品名)	5.08MM Header DIP TYPE
.XX ± 0.25	.X' $\pm 2^\circ$	APPRO.	DATE	PART NO (料号)	HMRSS1-XXXXXXXPB
.XXX ± 0.13	.XX' $\pm 1^\circ$			DRAWING NO.(图号)	HMRSS1-01
UNIT:mm	SCALE 1:1				
A4	SHEET: 1 of 1				