

Connector

Pin Header Series

KLS1-207 PIN HEADER 2.54mm(0.100") Double layer SMT Pin Type

Electrical Characteristics:

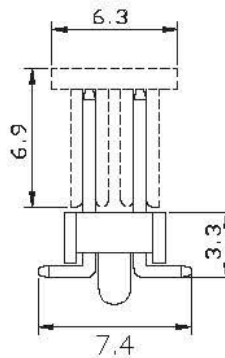
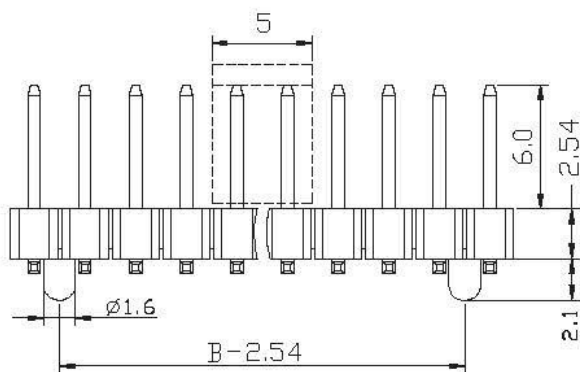
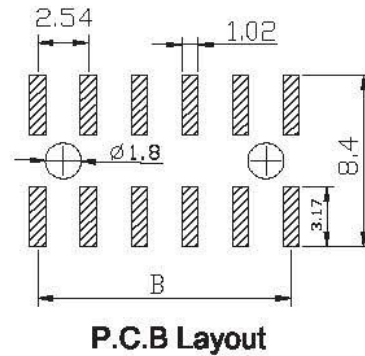
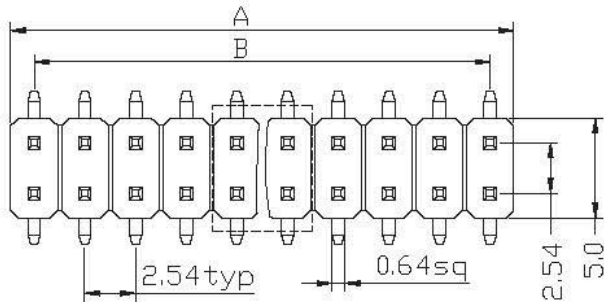
Current Rating: 1 AMP
 Insulator Resistance: 5000MΩmin. at DC 500V
 Contact Resistance: 20mΩmax. at DC 100mA
 Operating Temperature: -45°C~+105°C

Material:

Housing: 30% Glass filled PBT UL94V-0
 Contacts: Brass
 Plating: Selective gold plated : gold plated on mating area and nickel plated on wire Cutting area
 Gold plated: 0.8u " over 50u " nickel
 Tin plated: 100u " over 50u " nickel

Features:

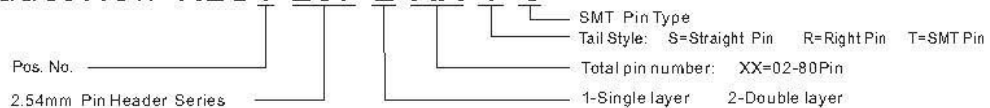
- * Available in straight and right angle.
- * Side-to-side and end-to-end stackable.
- * Custom design offered.



Position	1 Thru 40
Dimension	2 Thru 80
A±0.20	2.54xN
B±0.15	2.54xN-2.54

ORDER INFORMATION

Product No.: KLS1-207-2-XX-T 3



www.allconnectors.de
 Tel.: 0049 711 7009503
 70794 Filderstadt - Germany

info@allconnectors.de
 Fax: 0049 711 7009504
 Kettnerstr. 25