

Specifications

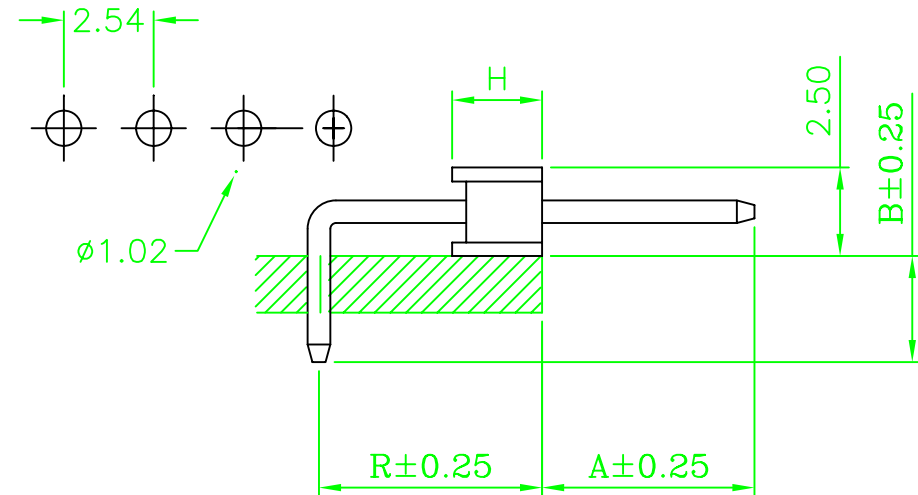
Current Rating: 3Amp
 Insulation Resistance: 1000MΩ Min.
 Dielectric Withstanding: 600V AC/DC
 Contact Resistance: 20mΩ Max.
 Operating Temperature: -40°C to +105°C

Materials

Contact Material: Copper Alloy
 Insulation Material: Polyester, UL 94V-0
 P.B.T
 All materials must be GP materials

Recommended P.C.Board

Hole Layout



Ordering Information

HMNSR	X	-	XX	XX	XXX	P	B
Material High 1=1.5MM 2=2.54MM	No. of Pins Per Row 02-40	Standard Plating 01=Gold Flash 02=Gold 3U" 11=Tin XX=Select Plating	Pin Length 001=6.0 /6.0/3.0 XXX=Select A/R/B	Material L=LCP T=NL6T P=PBT	Material B=Brass P=Phosphoric Bronze		

GENERAL TOLERANCE	ANGLE TOLERANCE	DESIGN	DATE	 www.allconnectors.eu info@allconnectors.eu Tel. +49 (0)711 / 358 110 20 Fax +49 (0)711 / 358 110 25	
X. ±	X' ±5°	Andy2005.08.12			
.X ±0.38	.X' ±2°	CHECK	DATE	FILE NAME (品名)	2.54MM Header R/A TYPE
.XX ±0.25	.XX' ±1°			PART NO (料号)	HMNSRX-XXXXXXXXPB
.XXX ±0.13	.XXX' ±0.5°	APPRO.	DATE	DRAWING NO.(图号)	HMNSRX-01
UNIT:mm	SCALE 1:1				REV.A0
A4	SHEET: 1 of 1				