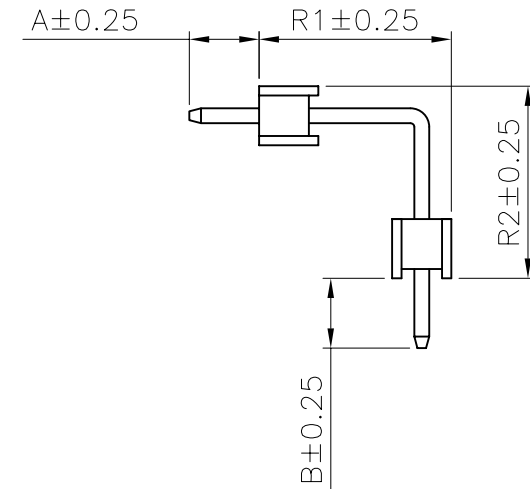


Specifications

Current Rating: 3Amp
 Insulation Resistance: 1000MΩ Min.
 Dielectric Withstanding: 600V AC
 Contact Resistance: 20mΩ Max.
 Operating Temperature: -40°C to +105°C

Materials

Contact Material: Brass
 Insulation Material: Polyester, UL 94V-0 PBT
 All materials must be GP materials



Ordering Information

HMNSRH - XX XX XXX P B

No. of Pins Per Row: 02-40
 Standard Plating: 01=Gold Flash, 02=Gold 3U, 11=Tin, XX=Select Plating
 Pin Length: 001=4.0 / 7.0 / 7.0 / 2.8, XXX=Select A/R1/R2/B
 Material: L=LCP, T=NL6T, P=PBT
 Material: B=Brass, P=Phosphoric Bronze

GENERAL TOLERANCE	ANGLE TOLERANCE	DESIGN	DATE	 www.allconnectors.eu info@allconnectors.eu Tel. +49 (0)711 / 358 110 20 Fax +49 (0)711 / 358 110 25	
		Andy2005.08.12			
X. ± 0.38	X'. ± 5°	CHECK	DATE	FILE NAME (品名)	2.54MM Header R/A TYPE
.X ± 0.25	.X' ± 2°	APPRO.	DATE	PART NO (料号)	HMNSRH-XXXXXXPB
.XX ± 0.13	.XX' ± 1°			DRAWING NO.(图号)	HMNSRH-01
UNIT:mm	SCALE 1:1				
A4	SHEET: 1 of 1				