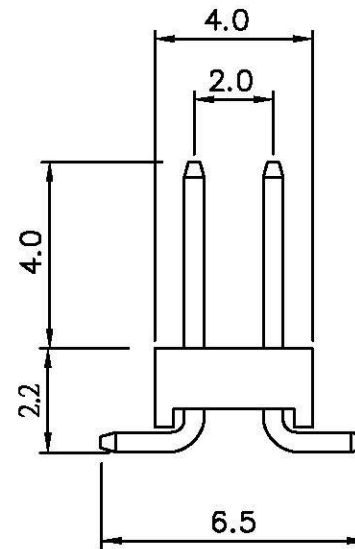
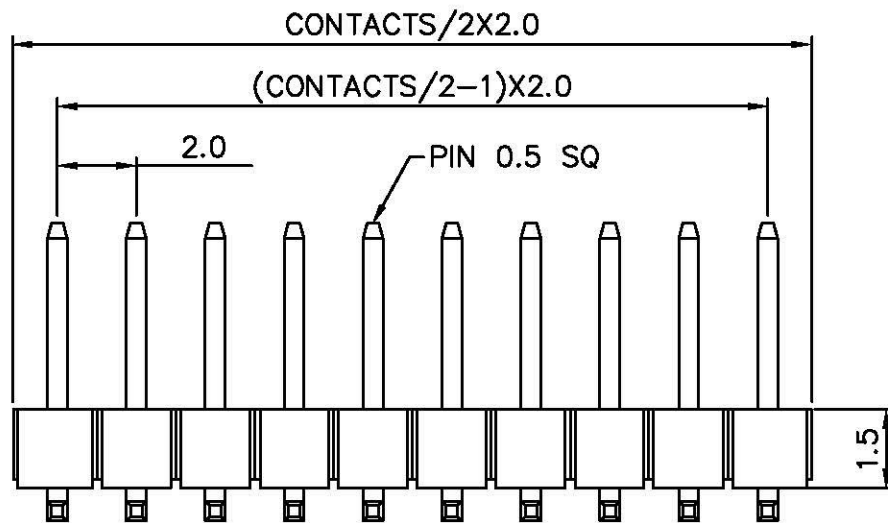


Specifications

Current Rating: 3Amp
 Insulation Resistance: 1000MΩ Min.
 Dielectric Withstanding: 600VAC
 Contact Resistance: 20mΩ Max.
 Operating Temperature: -40°C to +105°C

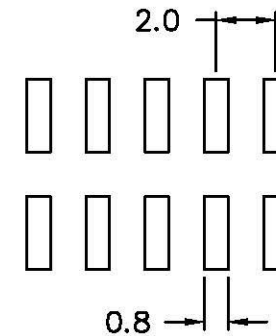
Materials

Contact Material: Copper alloy
 Insulator Material: Polyester, UL94V-0
 NYLON-6T



Recommended P.C.Board

Layout



RoHS Compliant

All Connectors

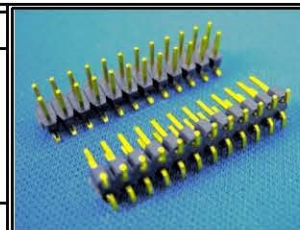
www.allconnectors.de
 Tel.: 0049 711 7009503
 70734 Filderstadt - Germany

info@allconnectors.de
 Fax: 0049 711 7009504
 Kettnerstr. 25

DRAWING BY CY
 CHECKED BY GENIUS
 UNIT / mm SCALE 1 : 1
 DATE
 SIZE A4 PPROJECTION

TOLERANCES ARE

X ±
 X ± 0.38
 .XX ± 0.25
 .XXX ± 0.13
 ANG ±



ORDER INFORMATION

M-V22X-2Xxx-LF
 SERIES | LEADFREE
 180°SMT | 2X03:06WAY
 | 2X40:80WAY
 | NON POST
 | HIGH 2.2mm

DESCRIPTION: 2.0 PIN HEADER DUAL ROW SMT TYPE