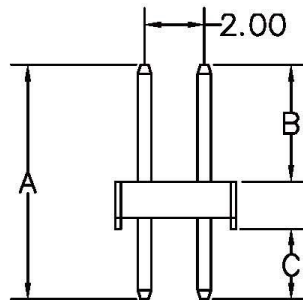
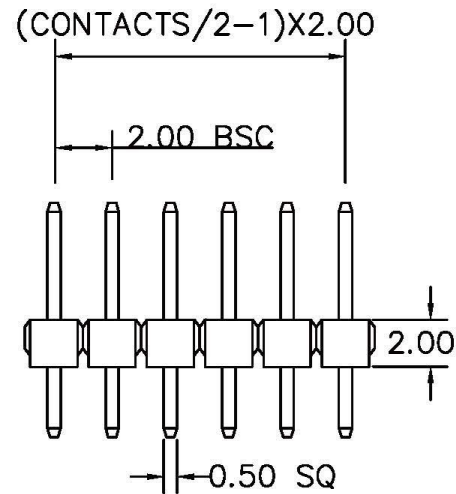


RECOMMENDED P.C.B LAYOUT



A: 8.70 mm B: 3.90 mm C: 2.80 mm

CONTACTS	2X21
2X2	2X22
2X3	2X23
2X4	2X24
2X5	2X25
2X6	2X26
2X7	2X27
2X8	2X28
2X9	2X29
2X10	2X30
2X11	2X31
2X12	2X32
2X13	2X33
2X14	2X34
2X15	2X35
2X16	2X36
2X17	2X37
2X18	2X38
2X19	2X39
2X20	2X40

MATERIAL

HOUSING : THERMOPLASTIC UL94V-0  
CONTACT : COPPER ALLOYS

SPECIFICATION

CURRENT: 1A  
OPERATING TEMPERATURE: -55°C TO +105°C  
CONTACT RESISTANCE : 20 MILLIOHMS MAX  
INSULATION RESISTANCE : 5000 MEGAOHMS MIN  
DIELECTRIC STRENGTH : 1000 VAC MIN

**RoHS Compliant**

**All Connectors**

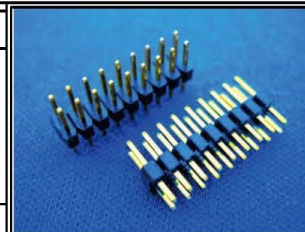
www.allconnectors.de  
Tel.: 0049 711 7009503  
70794 Filderstadt - Germany

info@allconnectors.de  
Fax: 0049 711 7009504  
Kettnerstr. 25

DRAWING BY CY  
CHECKED BY GENIUS  
UNIT/mm SCALE 1:1  
DATE  
SIZE A4

TOLERANCES ARE  
X ±  
.X ±  
.XX ±  
.XXX ±  
ANG ±

PJECTION



**ORDER INFORMATION**

M-D-2Xxx-LF

SERIES | DIP 180° | 2X02:04WAY | LEADFREE | 2X40:80WAY

**DESCRIPTION:**