

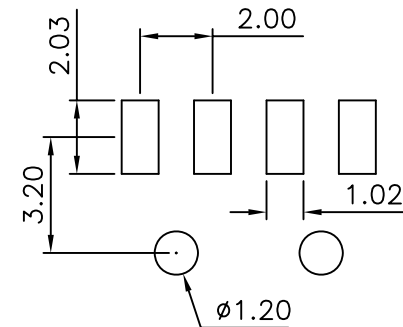
Specifications

Current Rating: 2Amp
 Insulation Resistance: 1000MΩ Min.
 Dielectric Withstanding: 500V AC
 Contact Resistance: 20mΩ Max.
 Operating Temperature: -40°C to +105°C

Materials

Contact Material: Copper Alloy
 Insulation Material: Polyester, UL 94V-0
 NYLON-6T
 All materials must be GP materials

Recommended P.C.Board



Ordering Information

HMLSSHX - XX XX XXX T B X X

Material High 1=1.5MM 2=2.0MM	No. of Pins Per Row 03-40	Standard Plating 01=Gold Flash 02=Gold 3U" 11=Tin XX=Select Plating	Pin Length 001=A=4.0/2.8 XXX=Select A/B	Material L=LCP T=NL6T	Material B=Brass P=Phosphoric Bronze	Post P=With Post W=Without Post	Packing TR=Tape+Reel T=Tube
-------------------------------------	---------------------------------	---	---	-----------------------------	---	---------------------------------------	-----------------------------------

GENERAL TOLERANCE X. ± 0.38 .XX ± 0.25 .XXX ± 0.13	ANGLE TOLERANCE X' ± 5° .X' ± 2° .XX' ± 1° .XXX' ± 0.5°	DESIGN DATE Andy2005.08.12	 www.allconnectors.eu info@allconnectors.eu Tel. +49 (0)711 / 358 110 20 Fax +49 (0)711 / 358 110 25	
		CHECK DATE		
UNIT:mm	SCALE 1:1	APPRO. DATE	FILE NAME (品名)	2.0MM Header SMT TYPE
A4	SHEET: 1 of 1		PART NO (料号)	HMLSSHX-XXXXXXXXLBX
			DRAWING NO.(图号)	HMLSSHX-05
				REV.AO