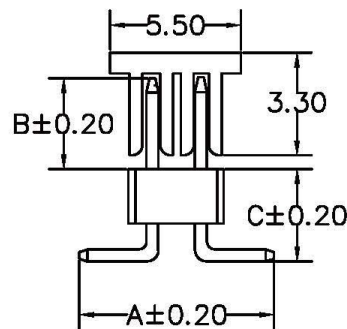
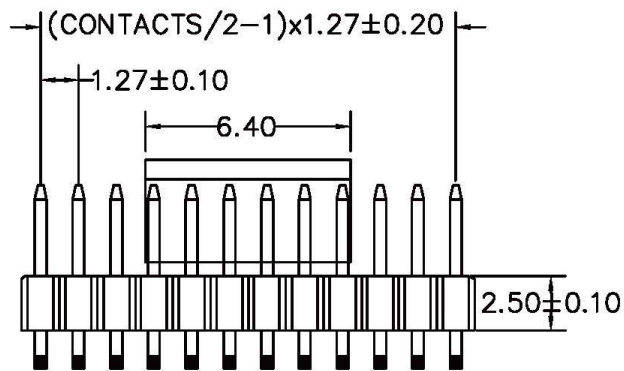


RECOMMENDED P.C.B LAYOUT



A: 5.84 mm B: 1.91 mm C: 2.92 mm

CONTACTS	2X26
2X2	2X27
2X3	2X28
2X4	2X29
2X5	2X30
2X6	2X31
2X7	2X32
2X8	2X33
2X9	2X34
2X10	2X35
2X11	2X36
2X12	2X37
2X13	2X38
2X14	2X39
2X15	2X40
2X16	2X41
2X17	2X42
2X18	2X43
2X19	2X44
2X20	2X45
2X21	2X46
2X22	2X47
2X23	2X48
2X24	2X49
2X25	2X50

MATERIAL

HOUSING : NYLON 6T,UL94V-0  
 CONTACT : COPPER ALLOYS  
 PLATED : GOLD-FLASH  
 COLOR : NATURAL(BLACK)

SPECIFICATION

CURRENT : 1A  
 OPERATING TEMPERATURE : -55°C TO +105°C  
 CONTACT RESISTANCE : 20 MILLIOHMS MAX  
 INSULATION RESISTANCE : 1000 MEGAOHMS MIN  
 WITHSTANDING VOLTAGE : 500V AC MIN

**RoHS Compliant**

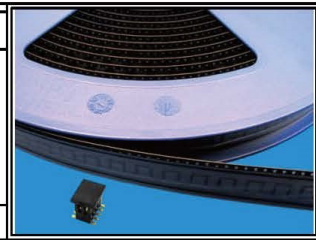
**All Connectors**

www.allconnectors.de info@allconnectors.de  
 Tel.: 0049 711 7009503 Fax: 0049 711 7009504  
 70794 Filderstadt - Germany Kettenerstr. 25

**TOLERANCES ARE**

X ±  
 .X ±  
 .XX ±  
 .XXX ±  
 ANG ±

DRAWING BY CY  
 CHECKED BY GENIUS  
 UNIT/mm SCALE 1:1  
 DATE  
 SIZE A4 PROJECTION

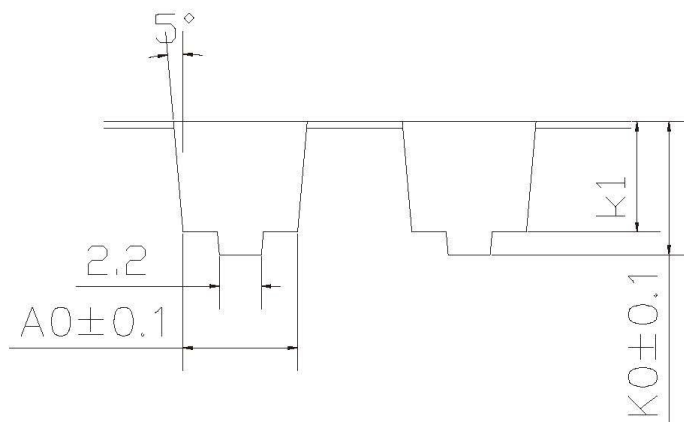
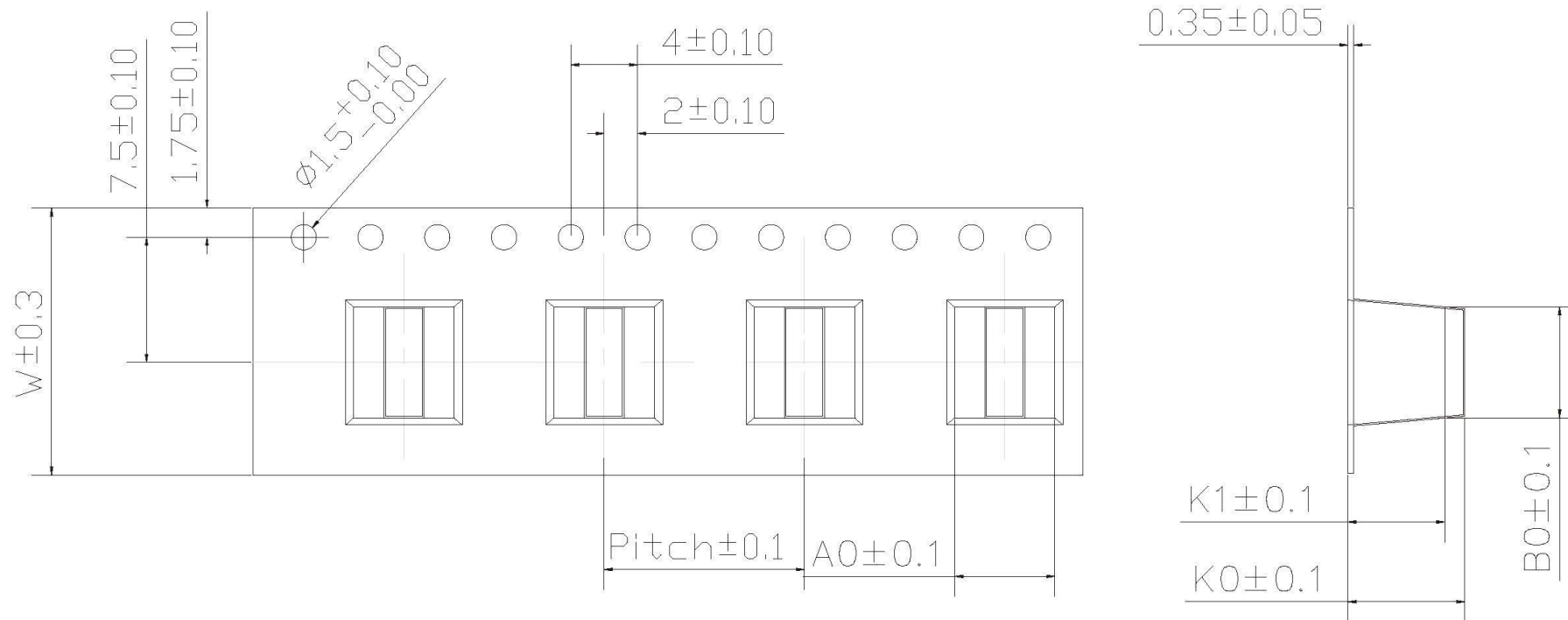


**ORDER INFORMATION**

PA-V29X19S10CR-2Xxx-LF

SERIES 180°SMT HIGH 2.92mm REEL LEADFREE  
 NON POST CAP SEMI GOLD 10u" CONTACT 1.91mm 2X02:04WAY 2X50:100WAY

**DESCRIPTION: PIN HEADER 1.27 SMT+CAP H:2.5**



L=26M / 15"REEL= 13M (1000PCS)

Pitch:12mm

W	A0	B0	K0	K1
16	6.0	6.65	7.0	5.8

單位：mm

**All Connectors**

www.allconnectors.de  
Tel.: 0049 711 7009503  
70794 Filderstadt - Germany

info@allconnectors.de  
Fax: 0049 711 7009504  
Kettnerstr. 25

**RoHS Compliant**

DRAWING BY CY  
CHECKED BY GENIUS  
UNIT/ mm SCALE 1:1  
DATE  
SIZE A4

TOLERANCES ARE

X ±  
.X ±  
.XX ±  
.XXX ±  
ANG ±

PROJECTION



**ORDER INFORMATION**

PA-V29X19S10CR-2Xxx-LF

SERIES 180°SMT HIGH 2.92mm REEL LEADFREE  
NON POST CAP SEMI GOLD 10u" CONTACT 1.91mm 2X02:04WAY 2X50:100WAY

DESCRIPTION: