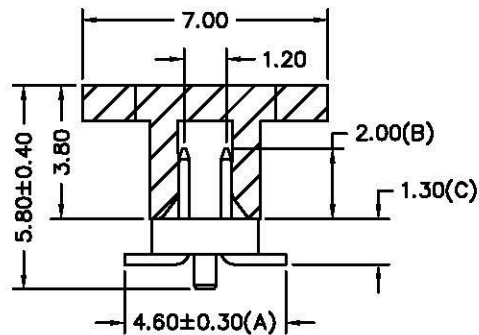


Recommended P.C.B Layout



MATERIAL

Contact Pin : Brass

SPECIFICATION

Current Rate : 1 AMP

Insulation Resistance : 5000MΩMin. at DC 500V

Contact Resistance : 15mΩMax.

Dielectric Voltage : AC 500V for one minute

POLES	DIM E	DIM F	POLES	DIM E	DIM F	POLES	DIM E	DIM F
3	1.60	0.80	19	14.40	13.60	35	27.20	26.40
4	2.40	1.60	20	15.20	14.40	36	28.00	27.20
5	3.20	2.40	21	16.00	15.20	37	28.80	28.00
6	4.00	3.20	22	16.80	16.00	38	29.60	28.80
7	4.80	4.00	23	17.60	16.80	39	30.40	29.60
8	5.60	4.80	24	18.40	17.60	40	31.20	30.40
9	6.40	5.60	25	19.20	18.40	41	32.00	31.20
10	7.20	6.40	26	20.00	19.20	42	32.80	32.00
11	8.00	7.20	27	20.80	20.00	43	33.60	32.80
12	8.80	8.00	28	21.60	20.80	44	34.40	33.60
13	9.60	8.80	29	22.40	21.60	45	35.20	34.40
14	10.40	9.60	30	23.20	22.40	46	36.00	35.20
15	11.20	10.40	31	24.00	23.20	47	36.80	36.00
16	12.00	11.20	32	24.80	24.00	48	37.60	36.80
17	12.80	12.00	33	25.60	24.80	49	38.40	37.60
18	13.60	12.80	34	26.40	25.60	50	39.20	38.40

RoHS Compliant

TOLERANCES ARE

All Connectors

DRAWING BY CY

X ±

CHECKED BY GENIUS

X ± 0.30

UNIT / mm

SCALE 1 : 1

.XX ± 0.20

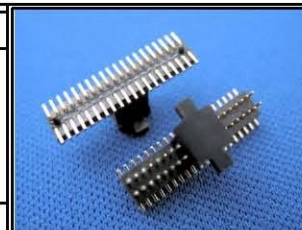
DATE

.XXX ±

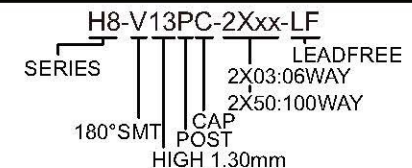
ANG ± 3°

SIZE A4

P PROJECTION



ORDER INFORMATION



DESCRIPTION: PIN HEADER 0.8*1.2mm
SMT S/T TYPE, DUAL ROWS HEIGHT=1.0mm,CAP+TUBE

www.allconnectors.de
Tel.: 0049 711 7003503
70794 Filderstadt - Germany

info@allconnectors.de
Fax: 0049 711 7003504
Kettenwegstr. 25