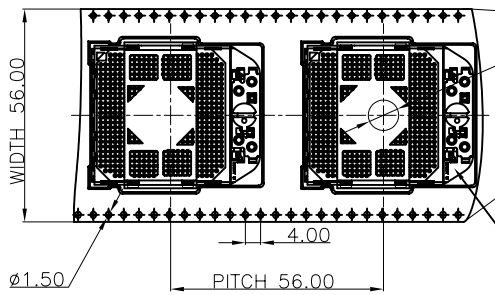


- NOTE:
- 1.BASE: HIGH TEMPERATURE THERMOPLASTIC. UL94V-0, BLACK.
 - 2.OOVER: HIGH TEMPERATURE THERMOPLASTIC. UL94V-0,NATURE.
 - 3.FLAT OOVER: HIGH TEMPERATURE THERMOPLASTIC ,BLACK.
 - 4.OONTACT: OOPPER ALLOY
 - 5.OTHERS: STAINLESS STEEL.
 - 6.PLATING: SELECTIVE GOLD OOVER OONTACT AREA,GOLD FLASH OOVER SOLDER AREA, PREPLATED NICKEL OOVER ALL.
 - 7.OOVER HOUSING ACTUATION NOMINAL DISTANCE :0.65mm
 - 8.USER INTERFACE:
 - 1)BLADE SCREW DRIVER TO ACTUATE;
 - 2)CLOCKWISE TO "CLOSE",COUNTERCLOCKWISE TO "OPEN";
 - 3)CAM ROTATION ANGLE (OPEN-CLOSE): 180 DEGREES
 - 9.SOCKET WILL ACCEPT PACKAGE WITH A PIN $\phi 0.305+0.025/-0.025$ AND A LENGTH OF 2.03 ± 0.08 LOCATED ON A TRUE POSITION OF $\phi 0.25$

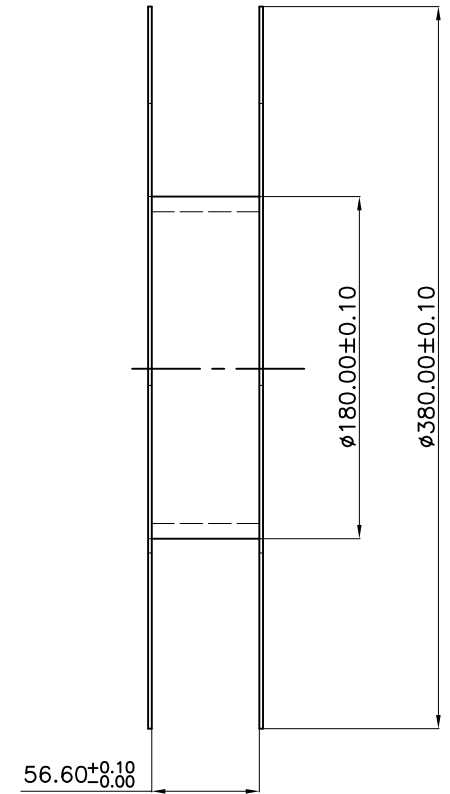
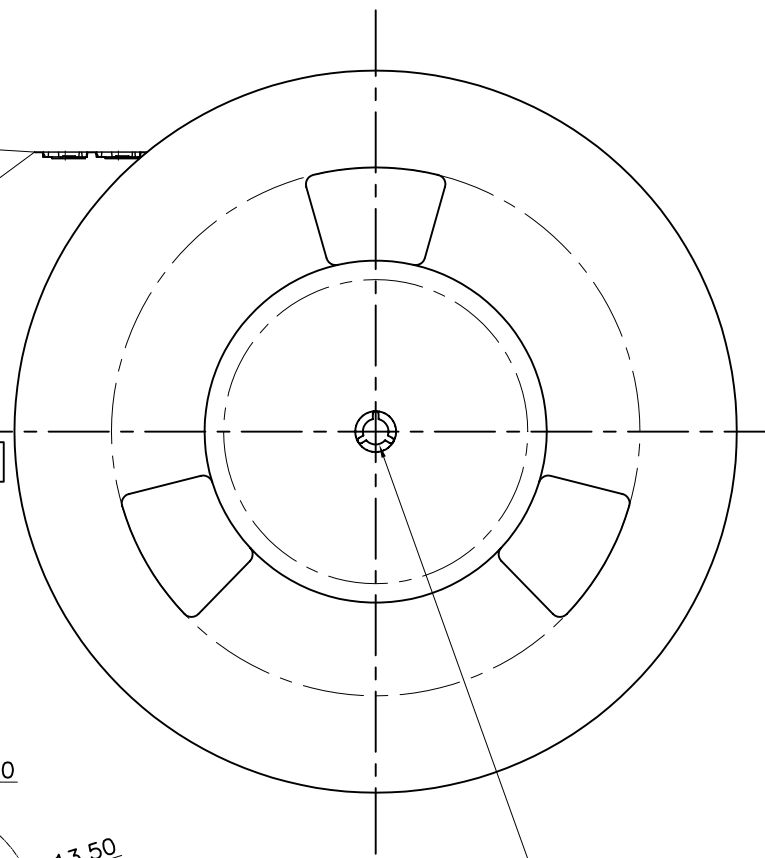
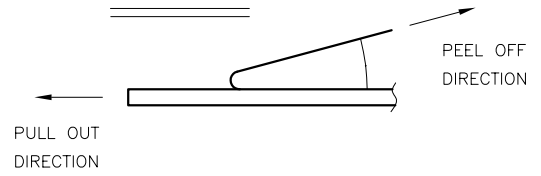
MPGA-VS-638-LF
LEADFREE
RoHS Compliant

A	 www.allconnectors.eu info@allconnectors.eu Tel. +49 (0)711 / 358 110 20 Fax +49 (0)711 / 358 110 25		PART NO. MPGA-VS-638		TOLERANCES ARE .X ± 0.2 .XX ± .XXX ± AWG	DESCRIPTION:			
	DWG NO. MPGA-VS-638		CHECKED BY CY						
B	FILE NO.		DRAWING BY			AREA	REVISIONS	HK	DATE
	UNIT / mm	SCALE 1:1	PROJECTION						

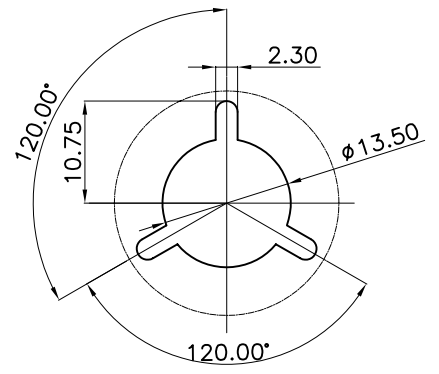


THE DIRECTION OF PACKAGEING AS SHOW IN THE DRAWING , AND THE HEAD OF PRODUCT SHOULD BE LEAD THE INNER PART OF REEL.

SCALE 2:1



- NOTE:
- 1.THE QUANTITY TO BE PACKED PRODUCT : 150PCS PER REEL
 - 2.PEELING OFF FORCE OF COVER TAPE: 30~140gf
 - 3.MATERIAL: CARRIER TAPE: POLYPROPLENE
COVER TAPE: PET,PE,PEF
REEL: PAPER



DETAIL:A
SCALE 5:1

1	MPGA-VS-638	10u" GOLD PLATING, REEL Sn/Ag/Cu ALLOY SOLDER BALL
ITEM	PART NO	DESCRIPTION

Allconnectors

www.allconnectors.eu | info@allconnectors.eu
Tel. +49 (0)711 / 358 110 20 | Fax +49 (0)711 / 358 110 25

PART NO. MPGA-VS-638

DWG NO. MPGA-VS-638

FILE NO.

CHECKED BY CY

DRAWING BY

TOLERANCES ARE
.X ± 0.2
.XX ±
.XXX ±
AWG

DESCRIPTION:			
AREA	REVISIONS	HK	DATE

UNIT / mm

SCALE 1:1

PROJECTION