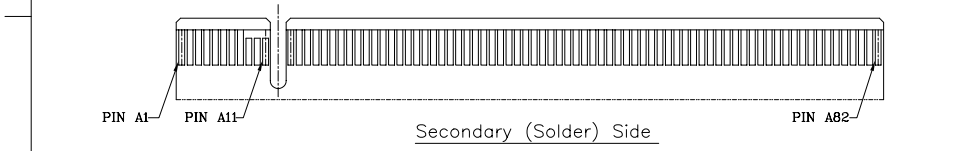
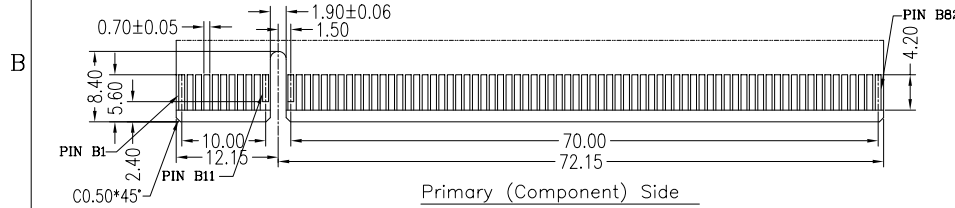
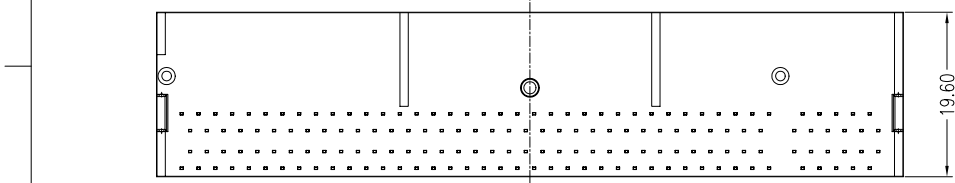
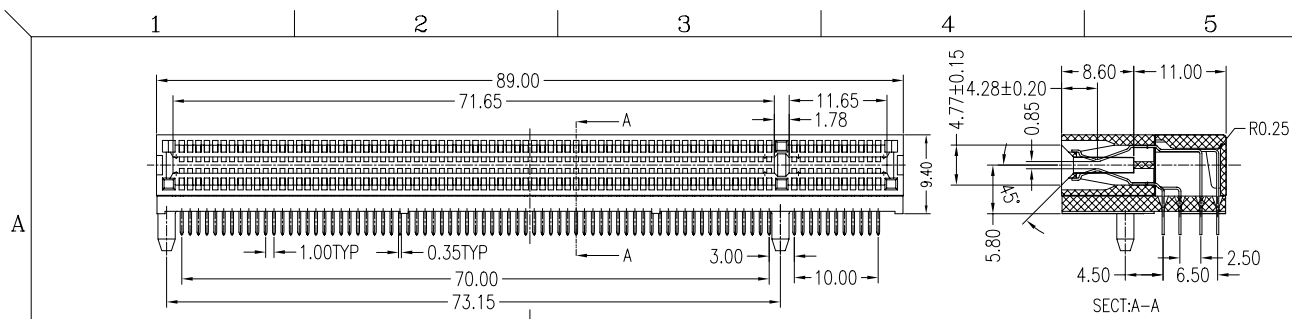
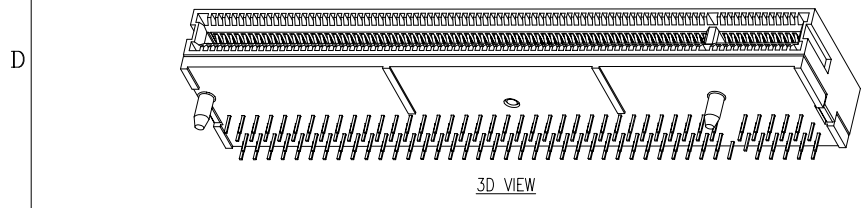
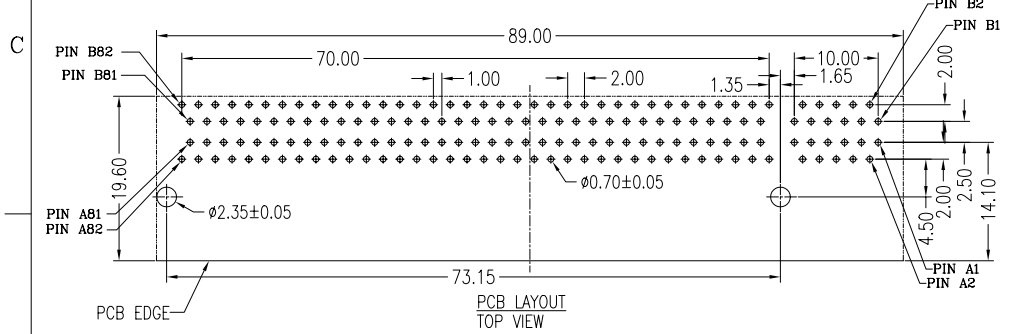


REV.	ECN.NO.	DATE
A	RELEASED	04/09/07



Part Number	Dim A
WPRS-164AN41B2UW	2.50mm
WPRS-164AN41B3UW	3.10mm
WPRS-164AN41B4UW	3.56mm



NOTES:

***Material**

Housing: Nylon46+30%G.F, UL 94V-0 Rated. Color: Black.
 Contact: Brass.
 Plating: Gold plating over Nickel on contact Area; Tin plating on solder tail.

***Mechanical**

Insertion Force: 1.15N max per contact pair;
 Withdrawal Force: 0.15N min per contact pair;
 Contact Retention Force: 4.9N min per contact;

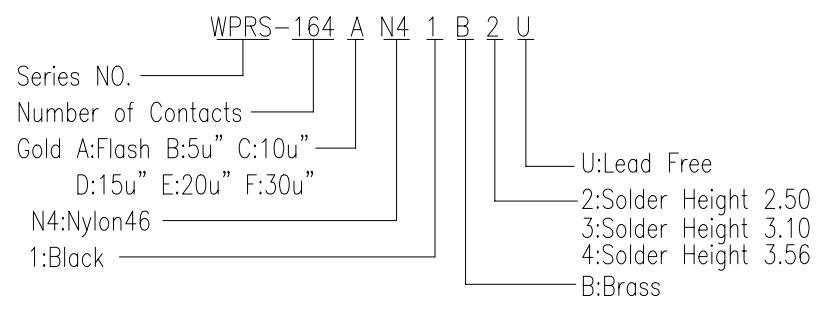
***Electrical Specification**

Contact Resistance : 30 Milliohms Max.
 Current Resistance : 1.1 Ampere
 Insulation Resistance : 1000 Megohms Min, At 500V AC.

***Environmental**

Operating Temperature : -55°c to +105°c

***How to Order:**



REV	Units	mm	Scale	1.5:1	Drawing By	Andy	Date	04/09/07	 <small>www.allconnectors.eu info@allconnectors.eu</small> <small>Tel: +49 (0)711 358 110 20 Fax: +49 (0)711 358 110 25</small>			
	Tolerance Unless Otherwise Specified				Reviewed By	Lulu	Date	04/09/07				
	.X	~ ±0.38			Approval By	Richard	Date	04/09/07	Date	04/09/07	Title	PCI EXPRESS R/A DIP TYPE 164P CRT
	.XX	~ ±0.25			Third Angle Projection			Sheet	1 of 1			
	.XXX	~ ±0.20						Drawing No.	WPES-164PS-AN-W084	REV	A	
	Angle	~ ± 3°										