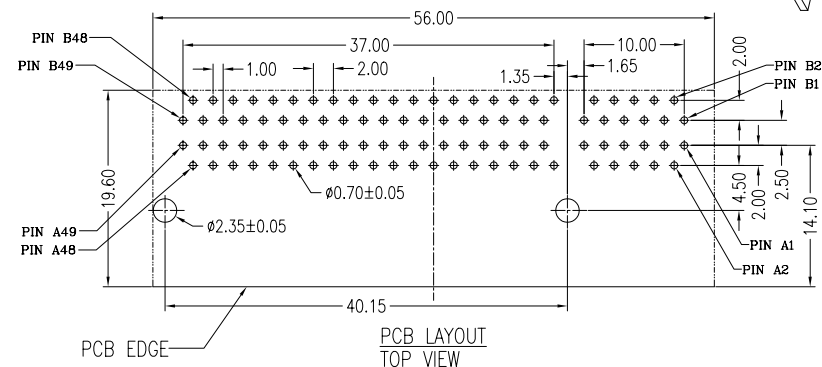
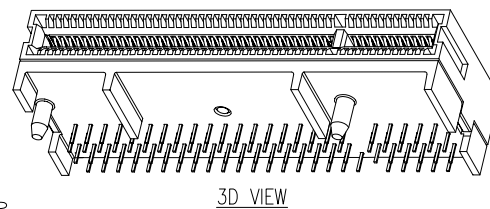
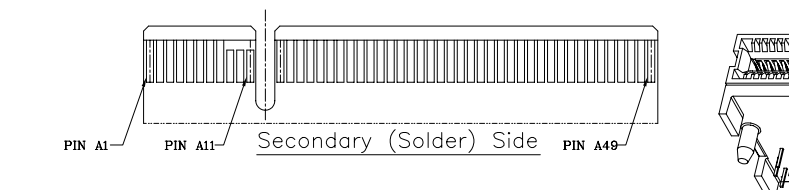
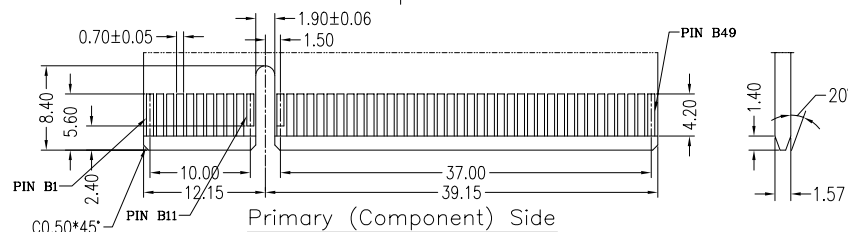
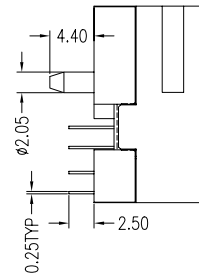
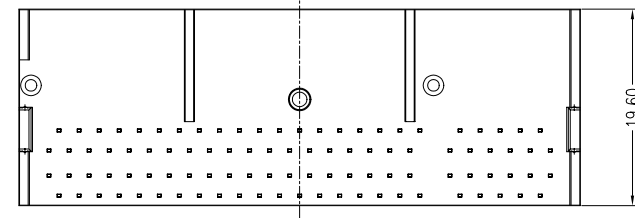
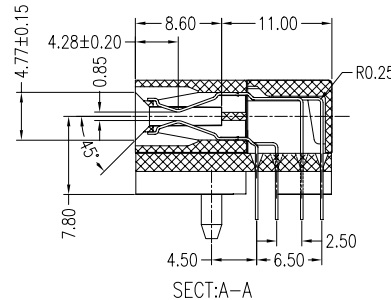
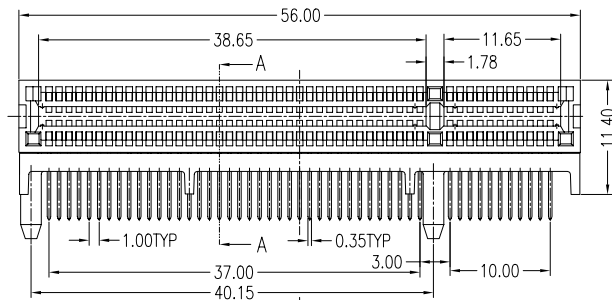


| | | |
|------|----------|----------|
| REV. | ECN.NO. | DATE |
| A | RELEASED | 06/22/07 |



NOTES:

***Material**

Housing: Nylon46+30%G.F, UL 94V-0 Rated. Color: Black.
 Contact: Brass.
 Plating: Gold plating over Nickel on contact Area; Tin plating on solder tail.

***Mechanical**

Insertion Force: 1.15N max per contact pair;
 Withdrawal Force: 0.15N min per contact pair;
 Contact Retention Force: 4.9N min per contact;

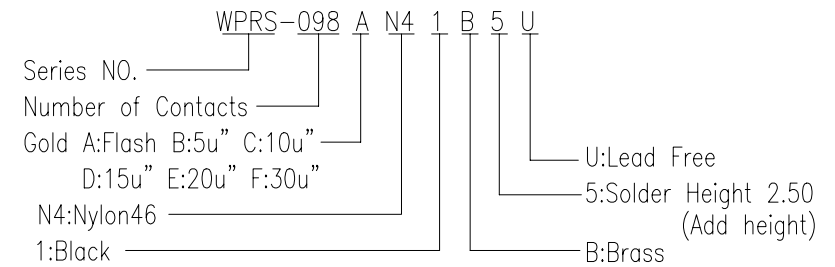
***Electrical Specification**

Contact Resistance : 30 Milliohms Max.
 Current Resistance : 1.1 Ampere
 Insulation Resistance : 1000 Megohms Min, At 500V AC.

***Environmental**

Operating Temperature : -55°c to +105°c

***How to Order:**



| | | | | | | | | | | | | | | | |
|-----|--------------------------------------|---------|-------|-------|-------------|----------|---|-------------|---------|----------|------------------------|-------------|--------------------|-------|--|
| REV | Units | mm | Scale | 1.5:1 | Drawing By | Data | <small>www.allconnectors.eu info@allconnectors.eu Tel. +49 (0)711 / 358 110 20 Fax +49 (0)711 / 358 110 25</small> | | | | | | | | |
| | Tolerance Unless Otherwise Specified | | | | Andy | 06/22/07 | | | | Date | 06/22/07 | Sheet | 1 of 1 | Title | PCI Express R/A DIP Type Add Height 98P CRT |
| | .X | ~ ±0.38 | | | Reviewed By | Roger | 06/22/07 | Approval By | Richard | 06/22/07 | Third Angle Projection | Drawing No. | WPRS-098PS-AN-W085 | REV | A |
| | .XX | ~ ±0.25 | | | | | | | | | | | | | |
| | .XXX | ~ ±0.20 | | | | | | | | | | | | | |
| | Angle | ~ ± 3° | | | | | | | | | | | | | |