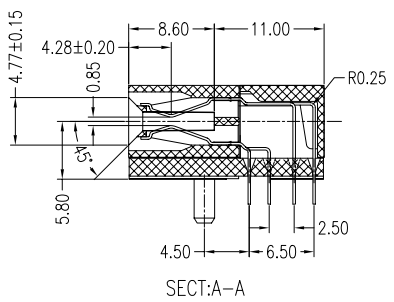
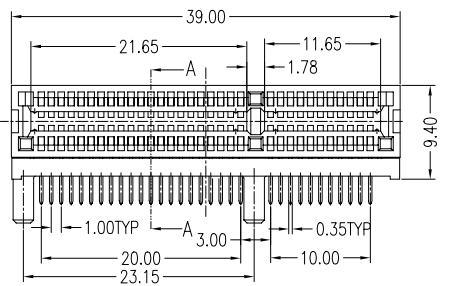


REV.	ECN.NO.	DATE
A	RELEASED	02/12/07



SECT:A-A

NOTES:

***Material**

Housing: Nylon46+30%G.F, UL 94V-0 Rated. Color: Black
 Contact: Brass(C2680 H)
 Plating: Gold plating over Nickel on contact Area; Tin plating on solder tail.

***Mechanical**

Insertion Force: 1.15N max per contact pair;
 Withdrawal Force: 0.15N min per contact pair;
 Contact Retention Force: 4.9N min per contact;

***Electrical Specification**

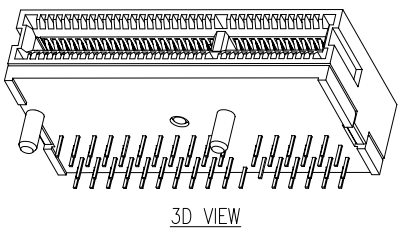
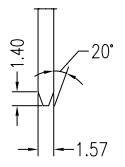
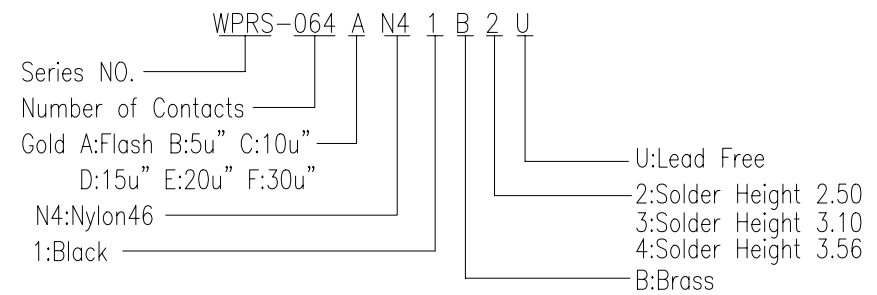
Contact Resistance : 30 Milliohms Max.
 Current Resistance : 1.1 Ampere
 Insulation Resistance : 1000 Megohms Min, At 500V AC.

***Environmental**

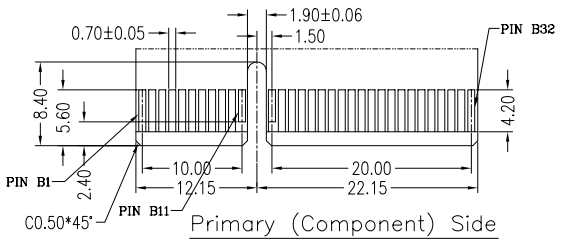
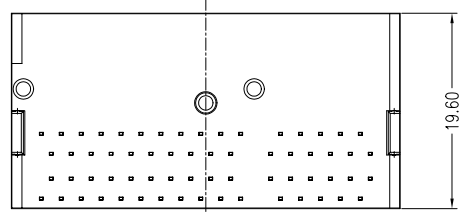
Operating Temperature : -55°c to +105°c

***How to Order:**

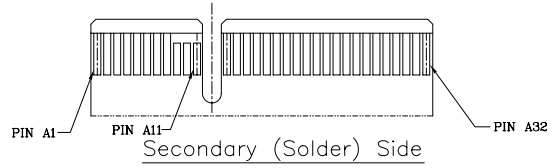
Part Number	Dim A
WPRS-064AN41B2UW	2.50mm
WPRS-064AN41B3UW	3.10mm
WPRS-064AN41B4UW	3.56mm



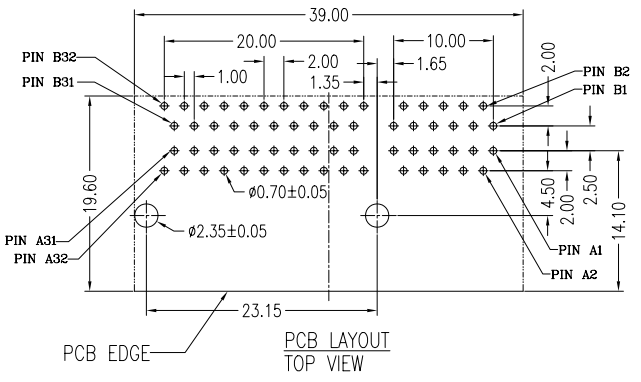
3D VIEW



Primary (Component) Side



Secondary (Solder) Side



PCB LAYOUT TOP VIEW

REV	Units mm Scale 1.5:1		Drawing By ANDY	Data 02/13/07	 <small>www.allconnectors.eu info@allconnectors.eu Tel. +49 (0)711 / 358 110 20 Fax +49 (0)711 / 358 110 25</small>		
Tolerance Unless Otherwise Specified			Reviewed By ROGER	Data 02/14/07			
.X ~ ±0.38			Approval By RICHARD	Data 02/14/07	Title PCI EXPRESS R/A DIP TYPE 64P CRT		
.XX ~ ±0.25			Third Angle Projection		Drawing No. WPRS-064PS-AN-W080		
.XXX ~ ±0.20			Angle ~ ± 3°		REV	A	