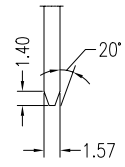
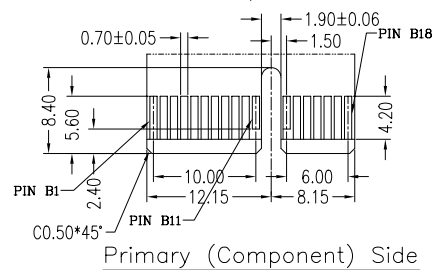
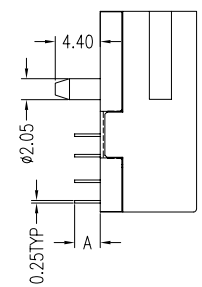
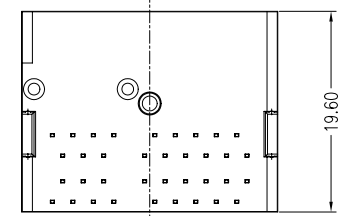
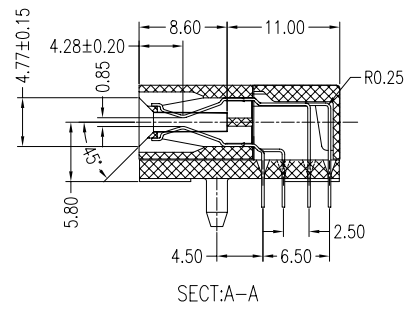
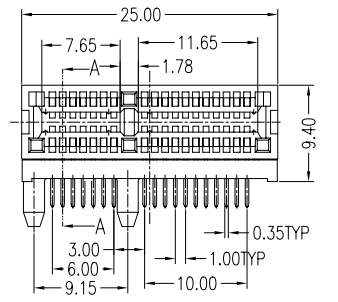
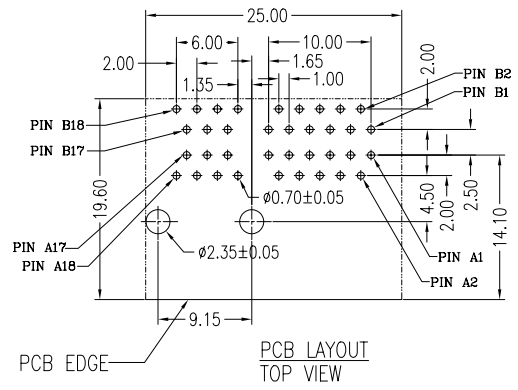
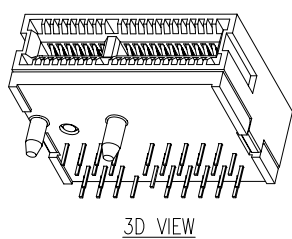
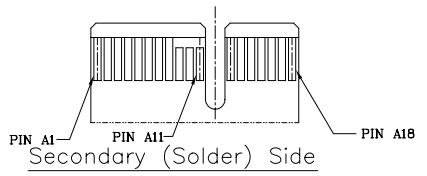


REV.	ECN.NO.	DATE
A	RELEASED	04/09/07



Part Number	Dim A
WPRS-036AN41B2UW	2.50mm
WPRS-036AN41B3UW	3.10mm
WPRS-036AN41B4UW	3.56mm



NOTES:

***Material**

Housing: Nylon46+30%G.F, UL 94V-0 Rated. Color: Black
 Contact: Brass.
 Plating: Gold plating over Nickel on contact Area; Tin plating on solder tail.

***Mechanical**

Insertion Force: 1.15N max per contact pair;
 Withdrawal Force: 0.15N min per contact pair;
 Contact Retention Force: 4.9N min per contact;

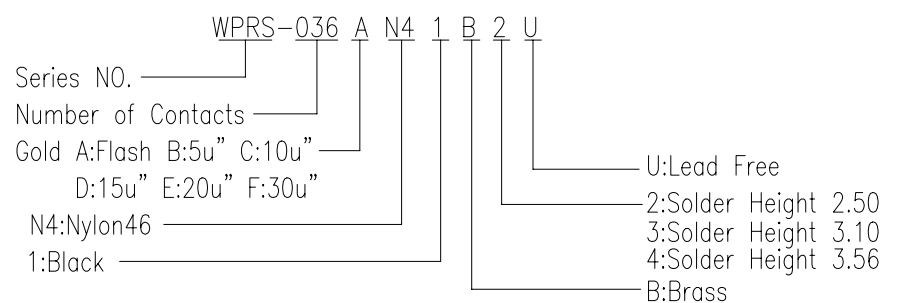
***Electrical Specification**

Contact Resistance : 30 Milliohms Max.
 Current Resistance : 1.1 Ampere
 Insulation Resistance : 1000 Megohms Min, At 500V AC.

***Environmental**

Operating Temperature : -55°C to +105°C

***How to Order:**



REV		Units	mm	Scale	1.5:1	Drawing By	Data	Allconnectors				
						Andy	04/09/07	www.allconnectors.eu info@allconnectors.eu Tel: +49 (0)711 358 110 20 Fax +49 (0)711 358 110 25				
Tolerance Unless Otherwise Specified						Reviewed By	Data	Date	04/09/07	Title PCI EXPRESS R/A DIP TYPE 36P CRT		
.X ~ ±0.38						Lulu	04/09/07	Sheet	1 of 1			
.XX ~ ±0.25						Approval By	Data	Third Angle Projection				
.XXX ~ ±0.20						Richard	04/09/07	Drawing No.				
Angle ~ ± 3°										WPRS-036PS-AN-W083	REV	A