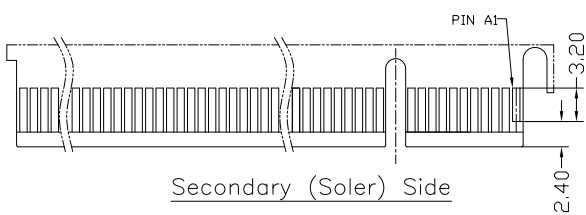
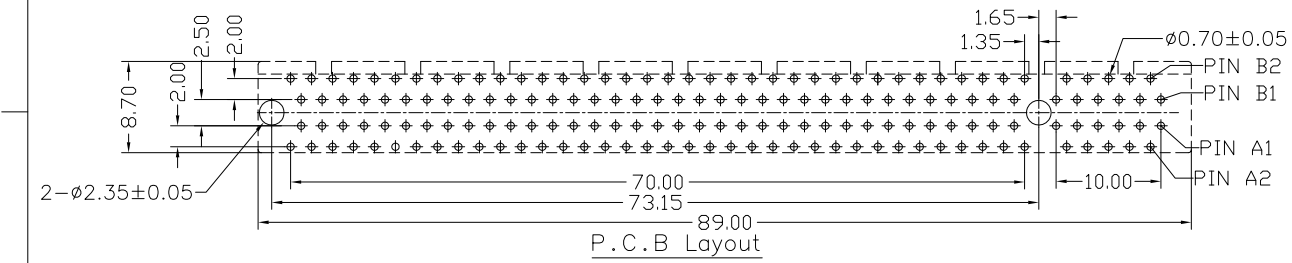
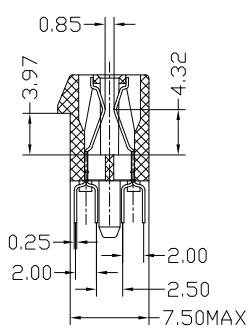
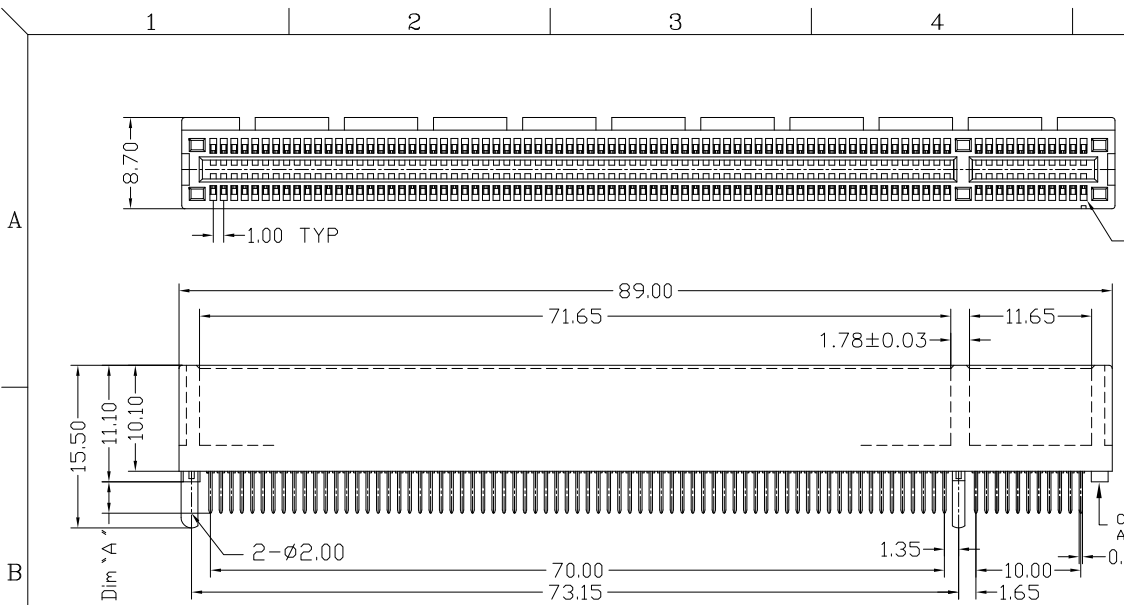
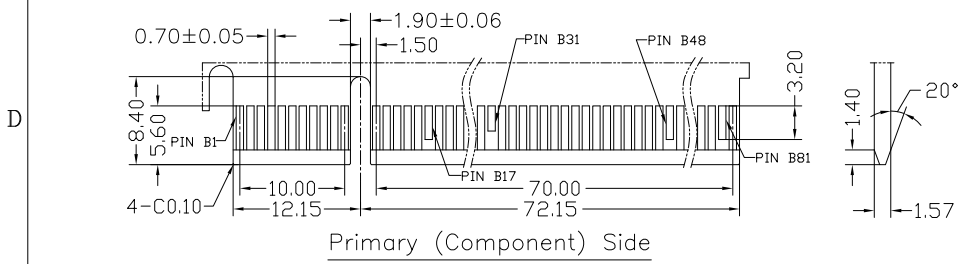


REV.	ECN.NO.	DATE
A	RELEASED	11/05/04



Unit:mm	
Part Number	Dim`A`
WPES-164AN41B22UWS	2.5mm
WPES-164AN41B32UWS	3.0mm



NOTES:

***Material**

Body : NYLON66+30%G.F NYLON46 +30%G.For PBT+30%G.F,
 UL 94V-0 Rated. Color: White or Black
 CAV.No:A~H
 Contacts : Brass or Phosphor Bronze
 Plating: Gold plating over Nickel on contact
 Area; Tin/Lead plating on terminal.

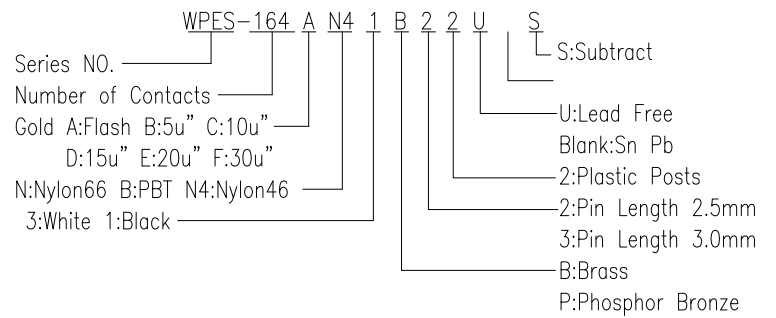
***Mechanical:**

Insertion Force: 1.15N max per contact pair;
 Withdrawal Force: 0.15N min per contact pair;
 Contact Retention Force: 4.9N min per contact;

***Electrical Specification**

Contact Resistance : 30 Milliohms Max.
 Current Resistance : 1.1 Ampere
 Insulation Resistance : 1000 Megohms Min, At 500V AC.
 Operating Temperature : -55°c to +105°c

***How to order:**



REV	Units		mm	Scale	Drawing By	Data
	Tolerance Unless				Lulu	11/05/04
	Otherwise Specified				Reviewed By	Data
	.X	~ ±0.38			Nick	11/05/04
	.XX	~ ±0.25			Approval By	Data
	.XXX	~ ±0.20			Richard	11/05/04
	Angle	~ ± 3°				



Date	11/05/04	Title	PCI EXPRESS 164 Pin Strop Form Pin Plastic Posts (Subtract)
Sheet	1 of 1		
Third Angle Projection		F/Name	WPES-164PS-AN-W042
REV	A		