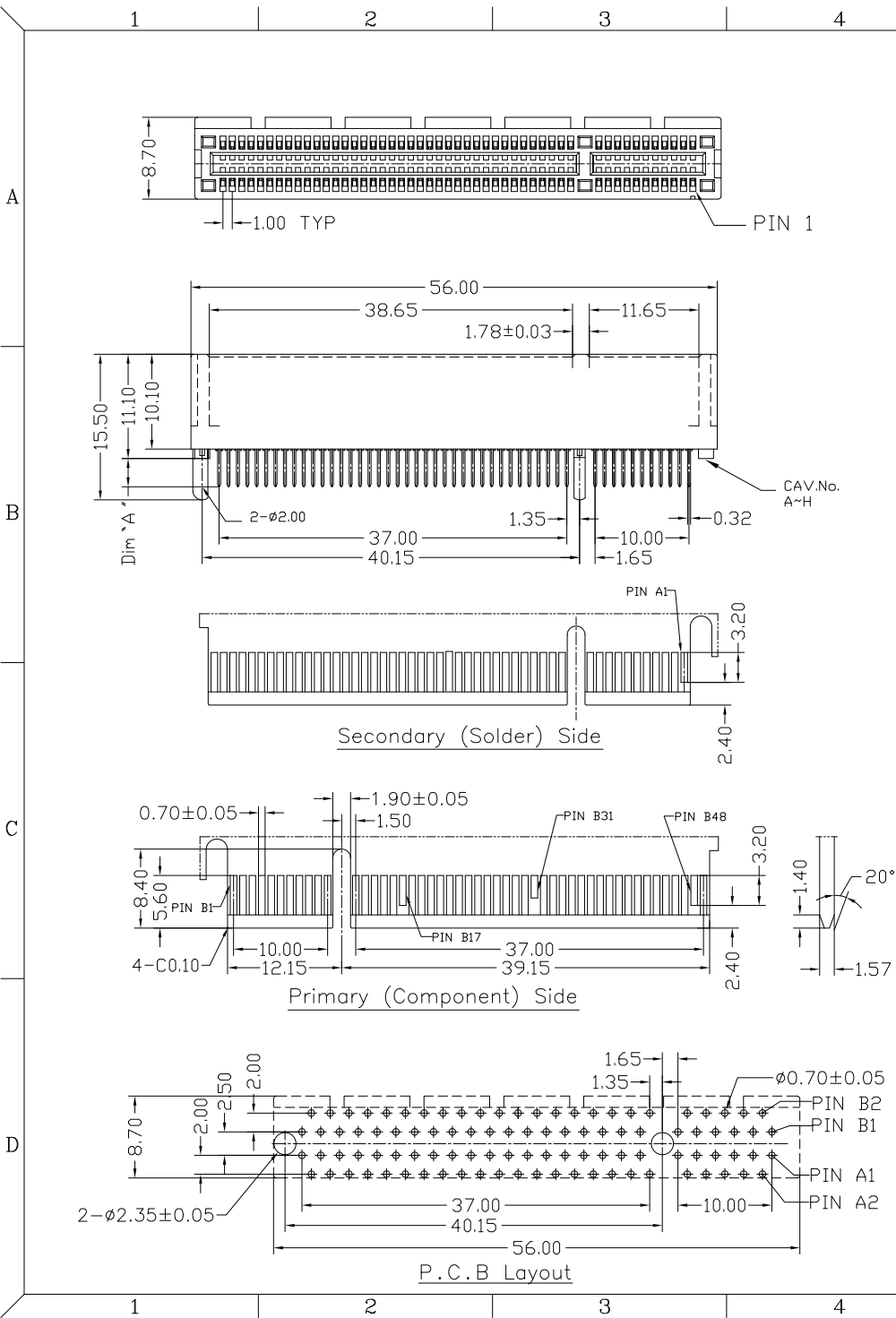


REV.	ECN.NO.	DATE
A	RELEASED	11/05/04



**NOTES:**

**\*Material**

Body : NYLON66,46+30%G.F or PBT+30%G.F,  
 UL 94V-0 Rated.Color: White or Black  
 CAV.No:A~H  
 Contacts : Brass or Phosphor Bronze  
 Plating: Gold plating over Nickel on contact  
 Area; Tin plating on solder tail.

**\*Mechanical:**

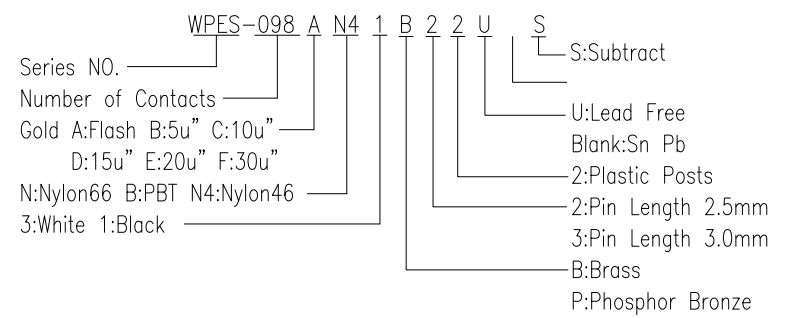
Insertion Force: 1.15N max per contact pair;  
 Withdrawal Force: 0.15N min per contact pair;  
 Contact Retention Force: 4.9N min per contact;

**\*Electrical Specification**

Contact Resistance : 30 Milliohms Max.  
 Current Resistance : 1.1 Ampere  
 Insulation Resistance : 1000 Megohms Min, At 500V AC.  
 Operating Temperature : -55°c to +105°c

Part Number	Dim "A"
WPES-098AN41B22UWS	2.5mm
WPES-098AN41B32UWS	3.0mm

**\*How to order:**



REV	Units		mm	Scale	Drawing By	Data	 <small>www.allconnectors.eu   info@allconnectors.eu          Tel. +49 (0)711 / 358 110 20   Fax +49 (0)711 / 358 110 25</small>			
	Tolerance Unless Otherwise Specified		.X	~ ±0.38	Lulu	11/05/04				
			.XX	~ ±0.25	Reviewed By	Data	Date	11/05/04	Title PCI EXPRESS 98 Pin Strop Form Pin Plastic Posts (Subtract)	
			.XXX	~ ±0.20	Nick	11/05/04	Sheet	1 of 1		
			Angle	~ ± 3°	Approval By	Data	Third Angle Projection			
					Richard	11/05/04	Drawing No.	WPES-098PS-AN-W041	REV	A