

REV.	ECN.NO.	DATE
A	RELEASED	03/08/05
B	Add Nylon46	10/21/05
C	Revise Insulator Material and Body	05/18/06

NOTES:

***Material**

Body : Nylon6T or Nylon9T, UL 94V-0 Rated.
 Color: White or Black.
 Contacts: Brass or Phosphor Bronze.
 Plating: Gold plating over Nickel on contact area;
 Tin Plating On Solder Tail.
 CAV.NO.:A~H.

***Mechanical:**

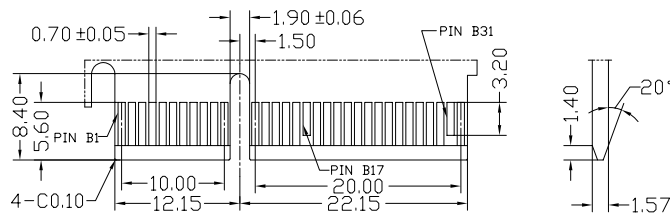
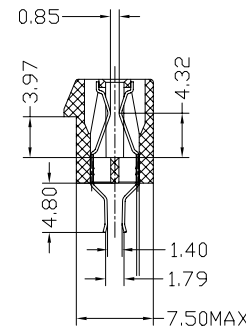
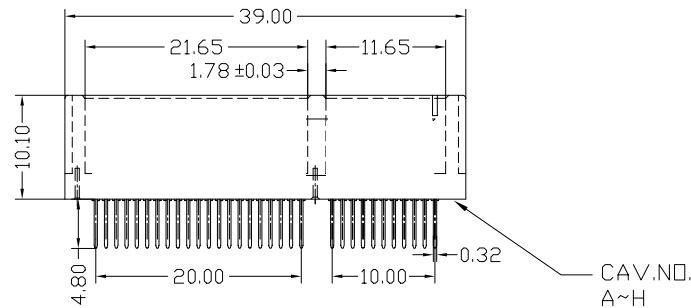
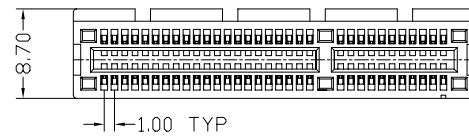
Insertion Force: 1.15N max per contact pair;
 Withdrawal Force: 0.15N min per contact pair;
 Contact Retention Force: 4.9N min per contact;

***Electrical Specification**

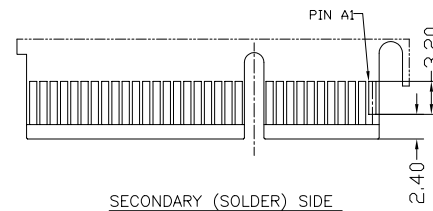
Contact Resistance : 30 Milliohms Max.
 Current Resistance : 1.1 Ampere
 Insulation Resistance : 1000 Megohms Min, At 500V AC.
 Operating Temperature : -55°C to +105°C

***How to order:**

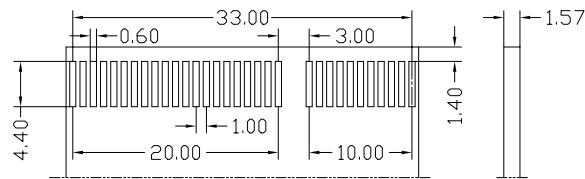
WPES-064 A N6 1 B 4 1 U S
 PCI Express ———
 Strip Form Pin ———
 Number of Contact ———
 Gold A:Flash B:5u" C:10u" ———
 N6: Nylon6T N9:Nylon9T ———
 N4: Nylon46 ———
 1:Black 3:White ———
 S:Subtract
 Blank: defence shrink hole
 U:Lead free
 1:None Post
 4:Straddle Type
 B:Brass
 P:Phosphor Bronze



PRIMARY (COMPONENT) SIDE



SECONDARY (SOLDER) SIDE



P.C.B. Layout For Straddle

REV		Revise Insulator Material and Body		Drawing By		Data		Date	
Units	mm	Scale		Andy		05/18/06			
Tolerance Unless Otherwise Specified				Reviewed By		Date			
.X	~	±0.38		Roger		05/18/06	Date	05/18/06	
.XX	~	±0.25		Approval By		Date			
.XXX	~	±0.20		Tf		05/18/06	Sheet	1 of 1	Title
Angle	~	± 3°					Third Angle Projection		PCI Express Connector 64 Pin Strip Form Pin Straddle(None Post)
								F/Name	
								WPES-064PS-AN-W045 REV C	

