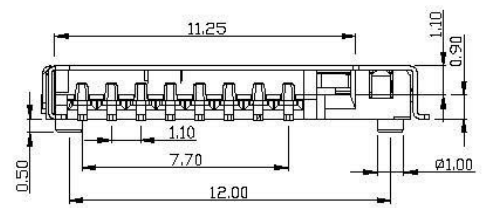
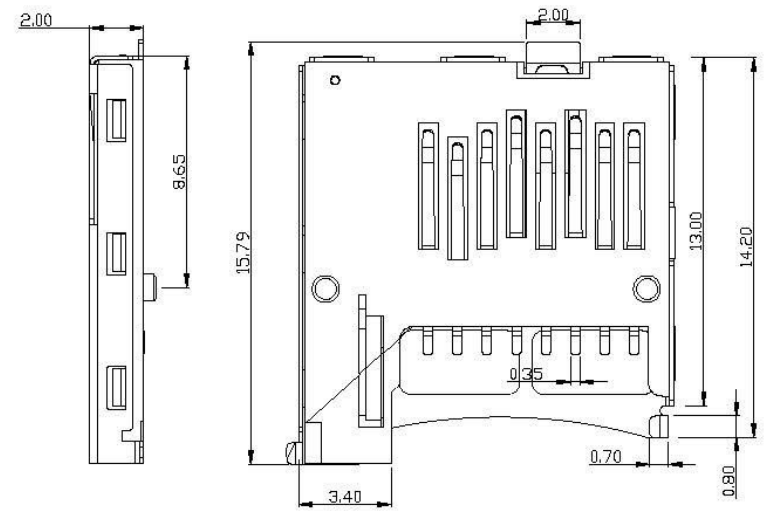
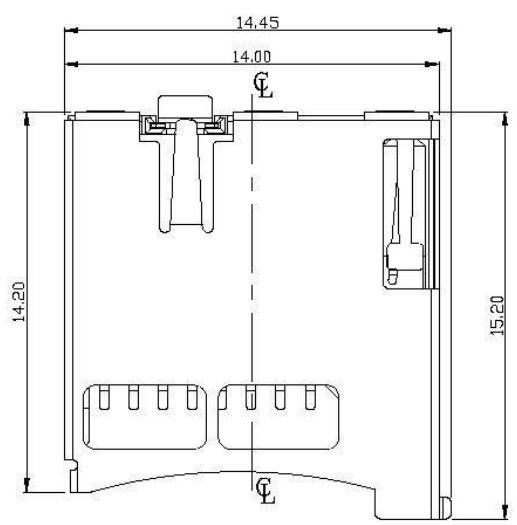
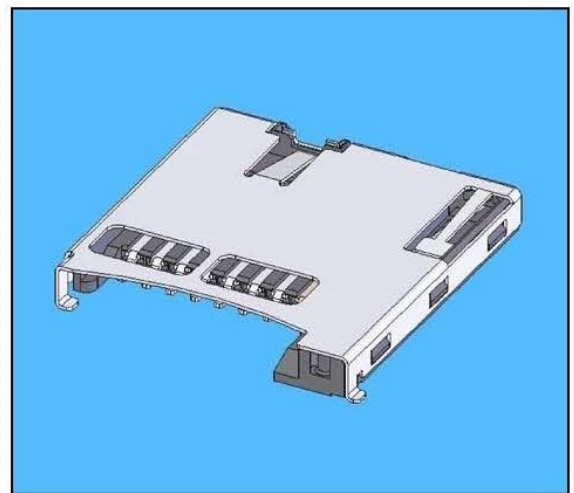


1 2 3 4 5 6 7 8 9 0

J  
I  
H  
G  
F  
E  
D  
C  
B  
A



Usable Memory Card  
Micro SD Card  
Dimension:(Unit:mm)



### Specification

**Material:**  
Housing: LCP  
Contacts: PHosphor Bronze C5210-EH .  
Shell: SUS304-3/4H

**Plating:**  
Contacts: 50"U Nickel Overall  
10"U Gold Selective Contact Area  
100"U Sn OVER NICKEL  
Shell: 50"U Nickel Overall  
1"U Gold Selective Contact Area

**Electrical:**  
Current Rating :0.5mA max.  
Contact Resistance:100mΩ max  
Insulation Resistance:1000MΩ min./500VDC  
Dielectric Withstanding Voltage:500VAC/minute  
Operating Temperature:-25°C to+85°C  
Mating Cycles:7,000 Insertions

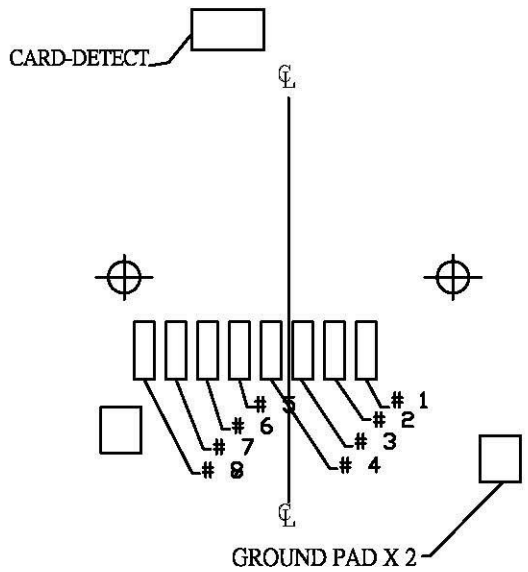
TFC-WPCP-08-LF  
LEADFREE

RoHS Compliant

**Allconnectors**  
www.allconnectors.de  
Tel: 0049 711 3002603  
70794 Filderstadt - Germany

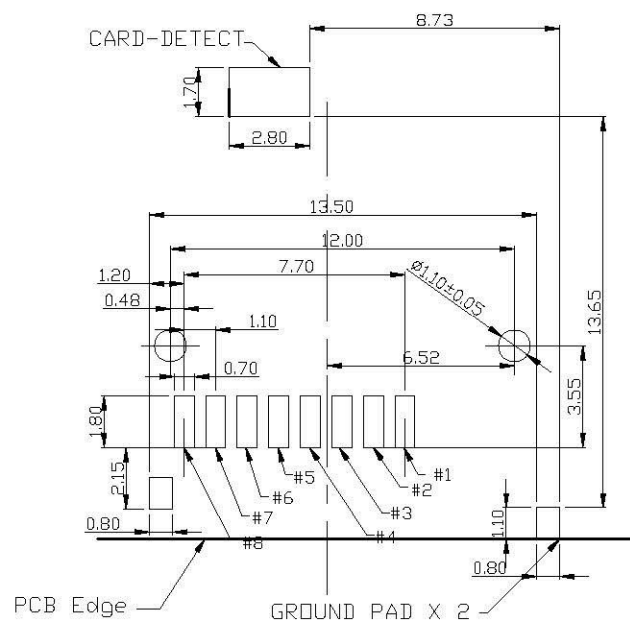
info@allconnectors.de  
Fax: 0049 711 3002604  
Kettnermarkt, 25

|                      |           |               |  |  |                                  |    |      |
|----------------------|-----------|---------------|--|--|----------------------------------|----|------|
| PART NO. TFC-WPCP-08 |           | CHECKED BY CY |  | TOLERANCES ARE<br>.X ± 0.2<br>.XX ± 0.1<br>.XXX ±<br>AWG | DESCRIP TION: Micro SD PUSH-PUSH |    |      |
| DWG NO. TFC-WPCP-08  |           | DRAWING BY    |  |  |                                  |    |      |
| UNIT / mm            | SCALE 1:1 | PROJECTION    |  | AREA   | REVISIONS                        | HK | DATE |



|              |              |               |            |
|--------------|--------------|---------------|------------|
| WITHOUT CARD |              | CARD INSERTED |            |
| CD           | ○ — ○ GROUND | CD            | ○ ○ GROUND |

Notices:



RECOMMEND PCB LAYOUT

| Pin Assignment: |                   |
|-----------------|-------------------|
| #1              | DTA2              |
| #2              | CD/DAT3           |
| #3              | CMD               |
| #4              | VDD               |
| #5              | CLK               |
| #6              | VSS               |
| #7              | DAT0              |
| #8              | DAT1 <sup>2</sup> |

**Allconnectors**  
 www.allconnectors.de info@allconnectors.de  
 Tel.: 0345 211 4099-00 Fax: 0345 211 4099-14  
 0345 Hildersdorf - Germany Kettenerstr. 25

PART NO. TFC-WPCP-08

DWG NO. TFC-WPCP-08

CHECKED BY CY

TOLERANCES ARE

DESCRIP TION:

FILE NO.

DRAWING BY

.X ± 0.2  
.XX ± 0.1  
.XXX ±  
AWG

|      |           |    |      |
|------|-----------|----|------|
| AREA | REVISIONS | HK | DATE |
|------|-----------|----|------|

UNIT / mm SCALE 1:1

PROJECTION

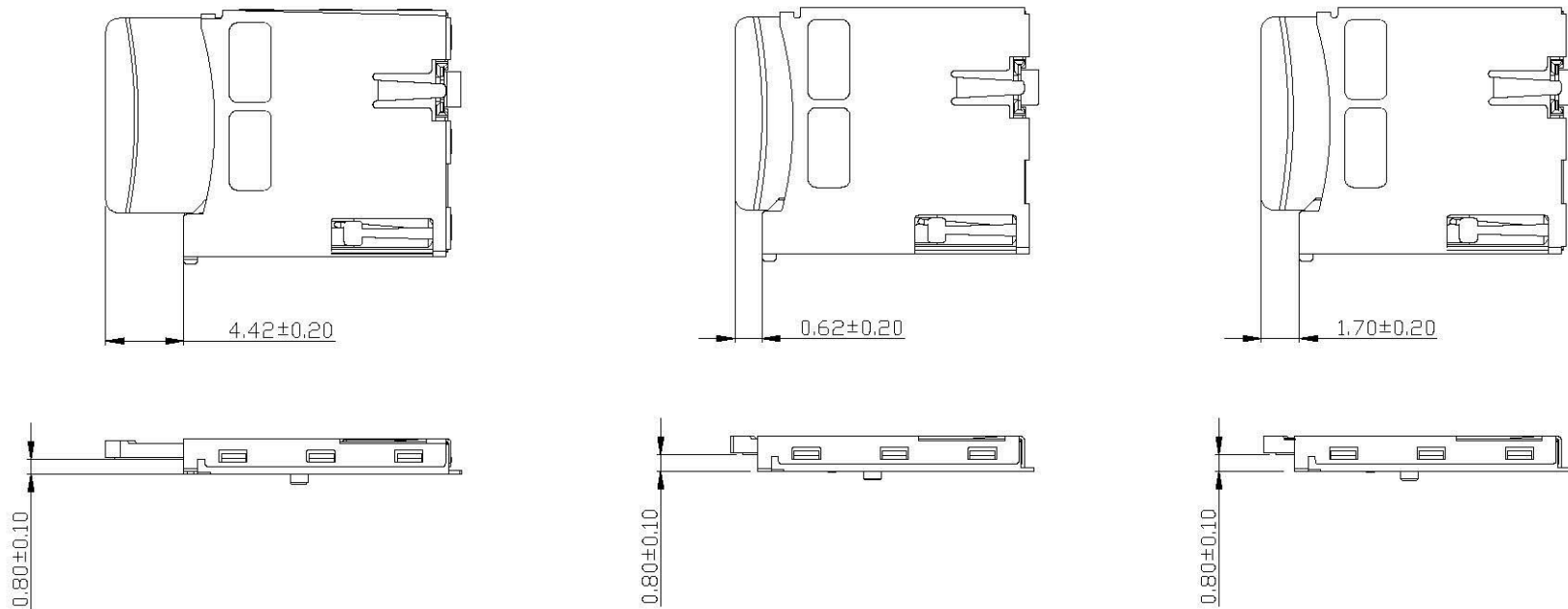
# Micro SD Push-push Socket Or Micro SD Card Insert Drawing :(Unit:mm)



Release Position

Overstock Position

Function



**Allconnectors**

www.allconnectors.de  
Tel.: 0049 711 7009503  
#9291 Hilderstraße - Germany

Info@allconnectors.de  
Fax: 0049 711 7009504  
Kulmberner Str. 25

PART NO. TFC-WPCP-08

DWG NO. TFC-WPCP-08

FILE NO.

UNIT / mm

SCALE 1:1

CHECKED BY CY

DRAWING BY

PROJECTION



TOLERANCES ARE

.X ± 0.2  
.XX ± 0.1  
.XXX ±  
AWG

DESCRIPTION:

Micro SD PUSH-PUSH

AREA

REVISIONS

HK

DATE