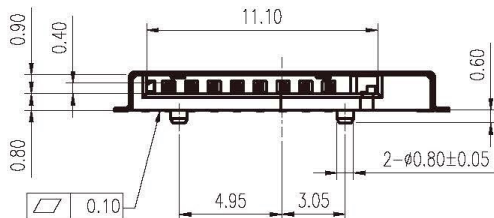
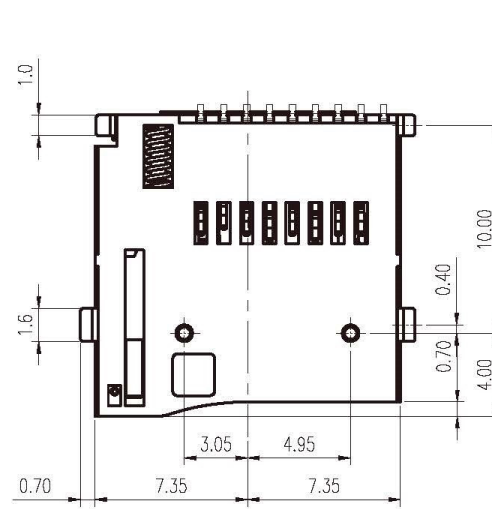
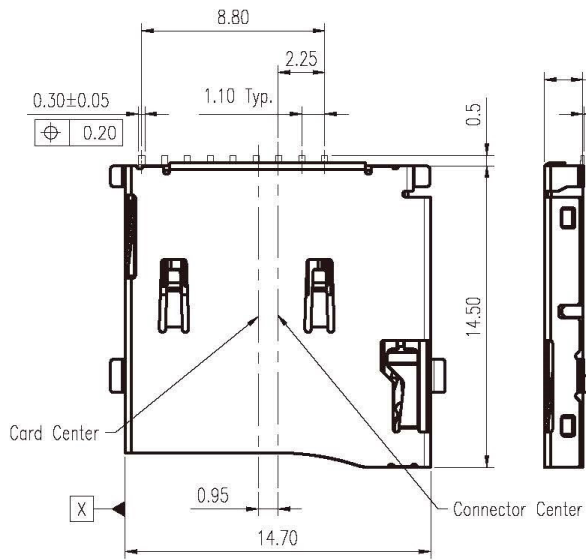
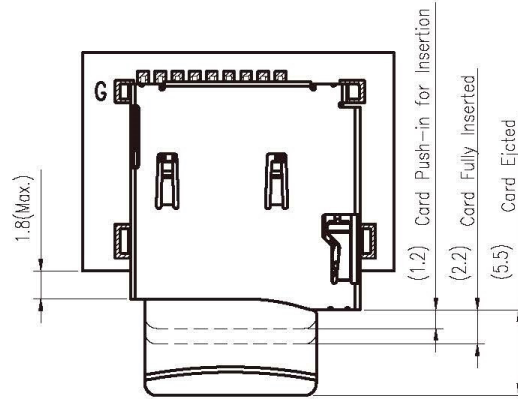


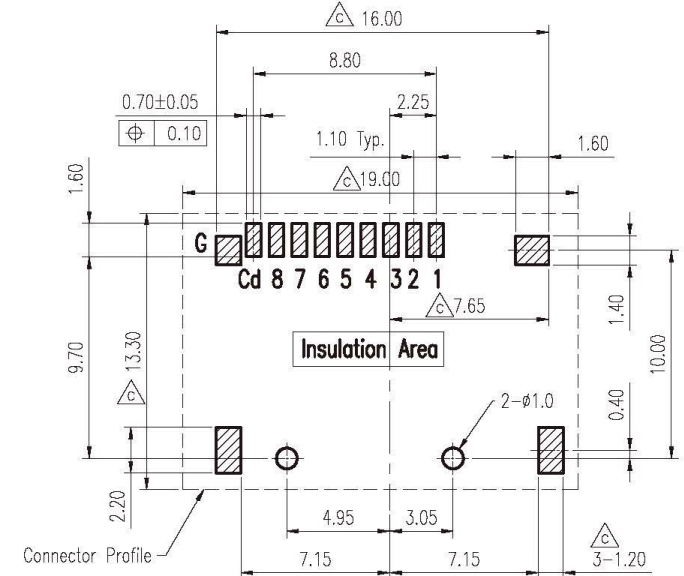
PIN NUMBER	PIN ASSIGNMENT	PIN NUMBER	PIN ASSIGNMENT
1	DAT2	6	VSS
2	CD/DAT3	7	DATO
3	CMD	8	DAT1
4	VDD	Cd	CARD DETECTION
5	CLK	G	GROUND

Card Detection Switch	
When Card is Ejected	When Card is Inserted
Open	Close
Cd G	Cd G



**Notes:**

- Material :  
 Housing : Thermoplastic UL 94V-0, Black  
 Terminal : Copper Alloy  
 Shell : SUS304R-3/4H  
 Drag Link : SUS304  
 Spring : Piano Wire
- Finished :  
 Terminal : G/F Overall



**Recommended P.C.B. Layout**  
 Layout Tolerance = ± 0.05 mm

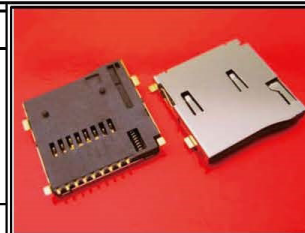
**All Connectors**

**RoHS Compliant**

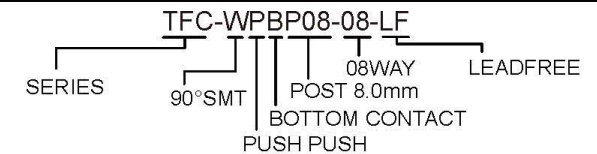
DRAWING BY CY  
 CHECKED BY GENIUS  
 UNIT/ mm SCALE 1 : 1  
 DATE  
 SIZE A4 PROJECTION

TOLERANCES ARE

X. ±  
 .X ±  
 .XX ±  
 .XXX ±  
 ANG ±



**ORDER INFORMATION**



**DESCRIPTION: Micor SD T-Flash Memory Card Conn.**

www.allconnectors.de info@allconnectors.de  
 Tel.: 0049 711 7009503 Fax: 0049 711 7009504  
 70794 Filderstadt - Germany Kettnerstr. 25