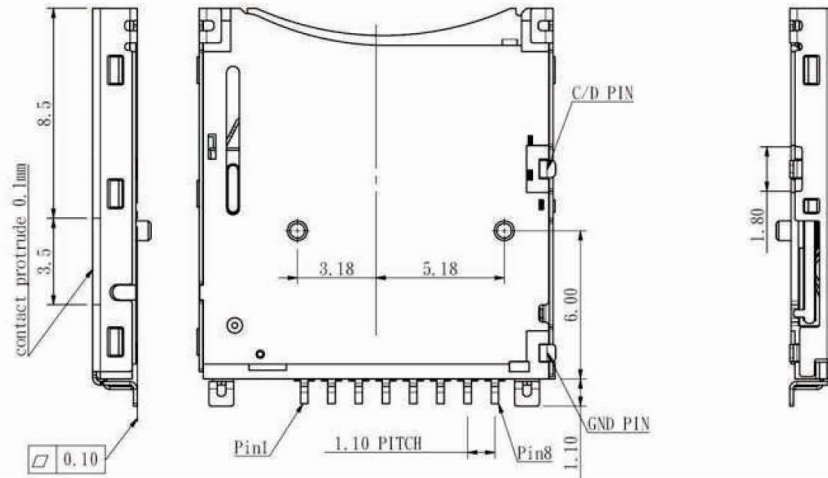
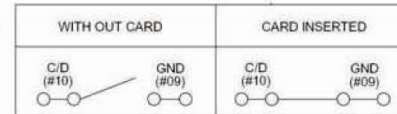


- NOTES :
- MATERIAL :
INSULATOR : HIGH TEMPERATURE THERMOPLASTIC
FLAMMABILITY RATING : UL94V-0 COLOR : BLACK
CONTACT : COPPER ALLOYS
COVER : STAINLESS STEEL
 - CONTACT AREA PLATING : GOLD OVER NICKEL
 - MULTIMEDIA CARD COMPATIBLE
 - C/D: MICRO SD CARD CARD DETECT INDICATION



CARD CIRCUIT :



RoHS Compliant

All Connectors

www.allconnectors.de
Tel.: 0049 711 7009503
70794 Filderstadt - Germany

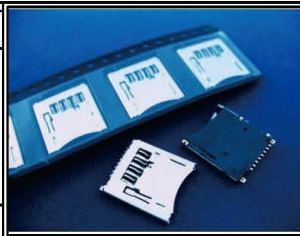
info@allconnectors.de
Fax: 0049 711 7009504
Kettnerstr. 25

DRAWING BY CY
CHECKED BY GENIUS
UNIT / mm SCALE 1 : 1
DATE
SIZE A4

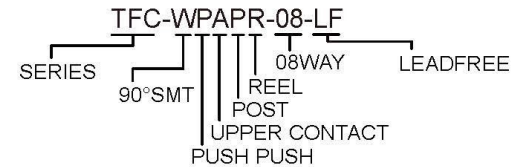
TOLERANCES ARE

X ±
X ±
XX ±
XXX ±
ANG ±

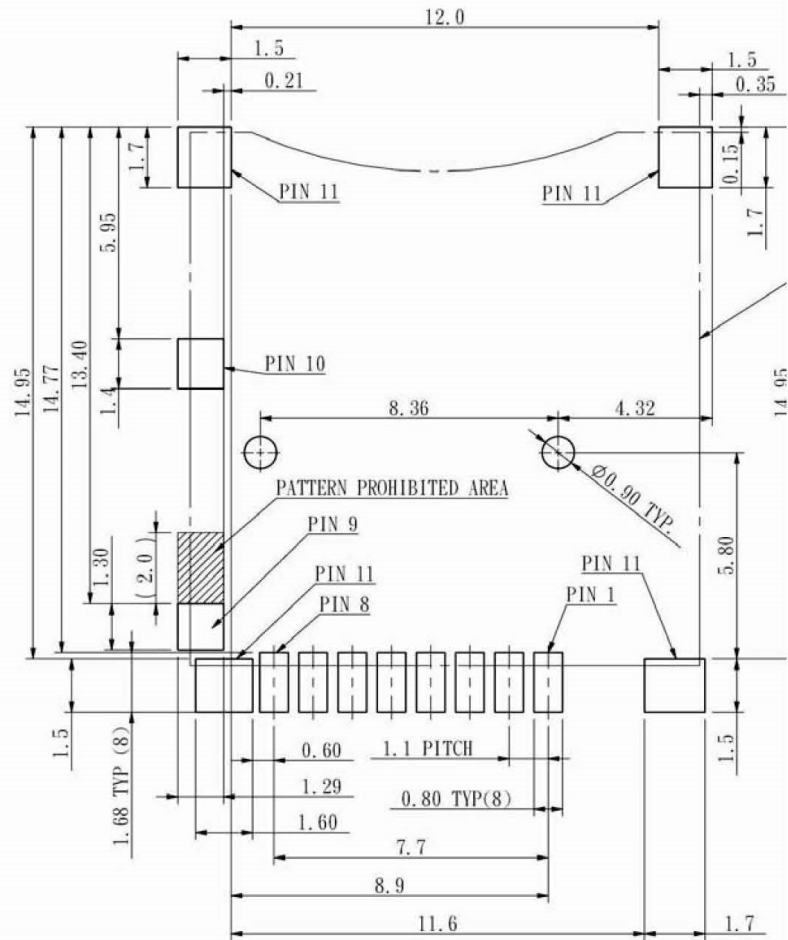
PPOJECTION



ORDER INFORMATION



DESCRIPTION: MICRO SD REV. PUSH-PUSH TYPE (H=1.8mm)



RECOMMENDED PCB LAYOUT
GENERAL TOLERANCE: ±0.05mm

Pin 11	GND
Pin 10	C/D PIN
Pin 9	GND
Pin 8	DAT1
Pin 7	DAT0
Pin 6	VSS
Pin 5	CLK
Pin 4	VDD
Pin 3	CMD
Pin 2	DAT3
Pin 1	DAT2
Pin No.	Description
Pin Assignment	

RoHS Compliant

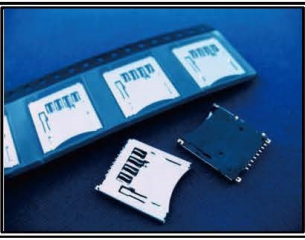
All Connectors

www.allconnectors.de
Tel.: 0049 711 7009503
70794 Filderstadt - Germany

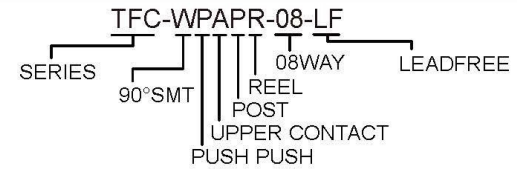
info@allconnectors.de
Fax: 0049 711 7009504
Kettnerstr. 25

DRAWING BY CY
CHECKED BY GENIUS
UNIT / mm SCALE 1 : 1
DATE
SIZE A4

TOLERANCES ARE
X ±
.X ±
.XX ±
.XXX ±
ANG ±
PPOJECTION

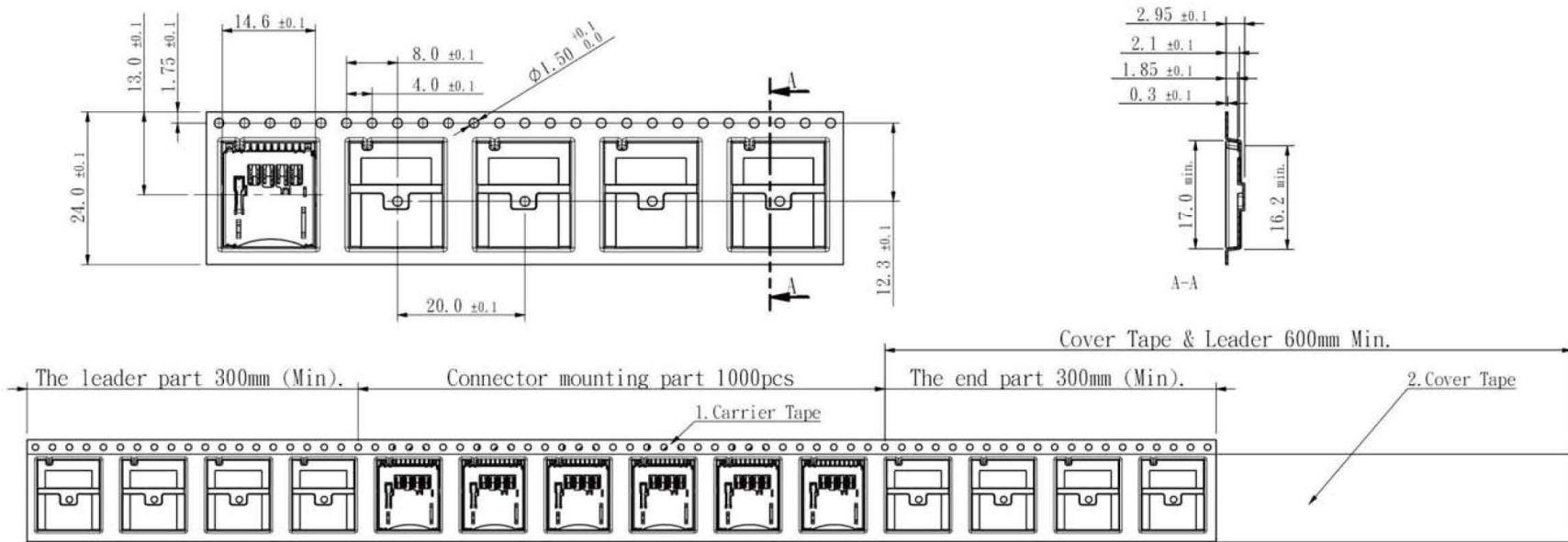


ORDER INFORMATION

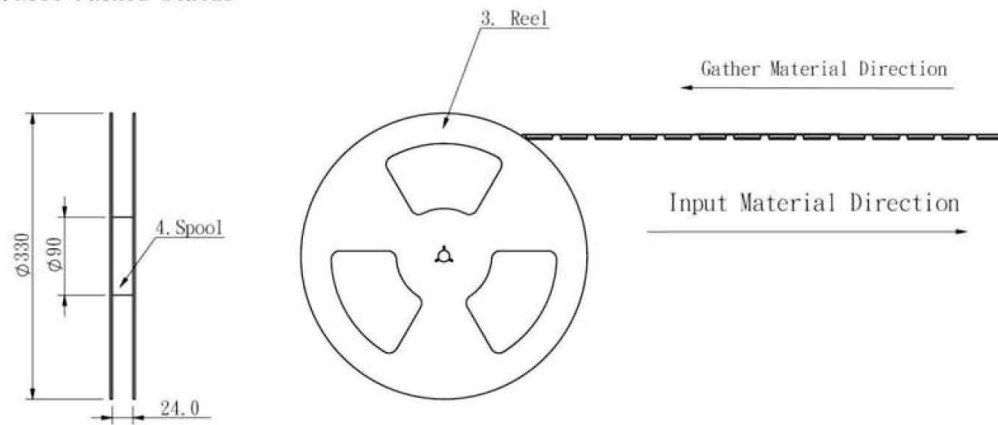


DESCRIPTION: MICRO SD REV. PUSH-PUSH TYPE (H=1.8mm)

1. Tape Packed Status



2. Reel Packed Status



All Connectors

www.allconnectors.de
Tel.: 0049 711 7009503
70794 Filderstadt - Germany

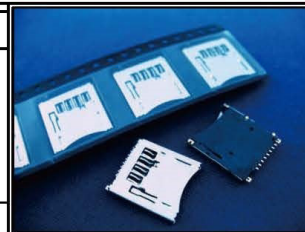
info@allconnectors.de
Fax: 0049 711 7009504
Kettnerstr. 25

RoHS Compliant

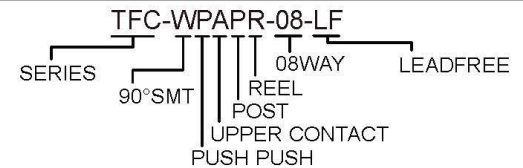
DRAWING BY CY
CHECKED BY GENIUS
UNIT / mm SCALE 1 : 1
DATE
SIZE A4 PROJECTION

TOLERANCES ARE

X ± 0.30
.X ± 0.30
.XX ± 0.20
.XXX ± 0.20
ANG ± 1°



ORDER INFORMATION



DESCRIPTION: MICRO SD REV. PUSH-PUSH TYPE (H=1.8mm)