

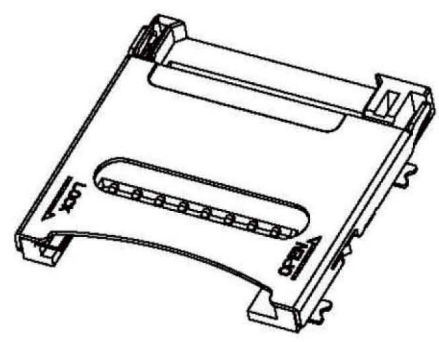
NOTES:

MATERIAL:
 Housing: High Temperature Thermoplastic,UL 94V-0
 Contacts:Phosphor bronze
 Shell: Stainless Steel

PLATING:
 Contacts: Plated 50 u" Ni Overall
 Plated Au Selective Contact Area
 Plated 100 u" Sn Over Ni On Solder Area

Electrical:
 Current Rating :0.5Amax.
 Contact Resistance:100m max
 Insulation Resistance:1000Mmin./500VDC
 Dielectric Withstanding Voltage:500VAC/minute
 Operating Temperature:-25°C TO+85°C
 Mating Cycles:10,000 times

Usable Memory Card:
 Micro SD Card



All Connectors

www.allconnectors.de info@allconnectors.de
 Tel.: 0049 711 7009503 Fax: 0049 711 7009504
 70794 Filderstadt - Germany Kettenerstr. 25

RoHS Compliant

TOLERANCES ARE

DRAWING BY CY	X ±
CHECKED BY GENIUS	.X ±
UNIT/ mm	.XX ±
SCALE 1 : 1	.XXX ±
DATE	ANG ±
SIZE A4	P PROJECTION



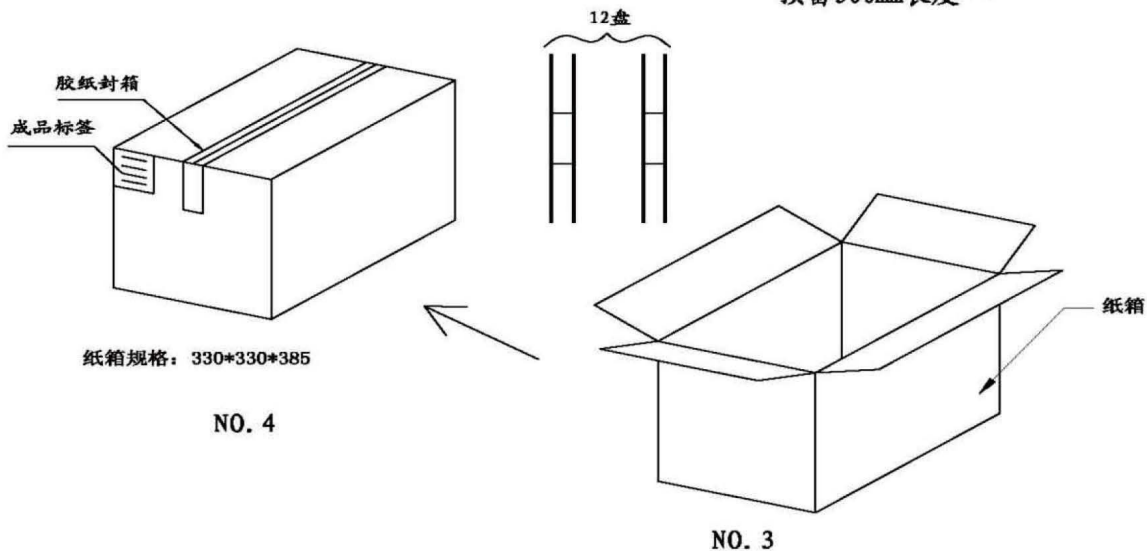
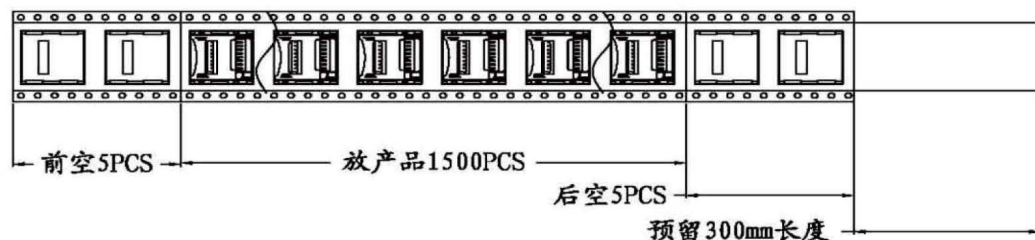
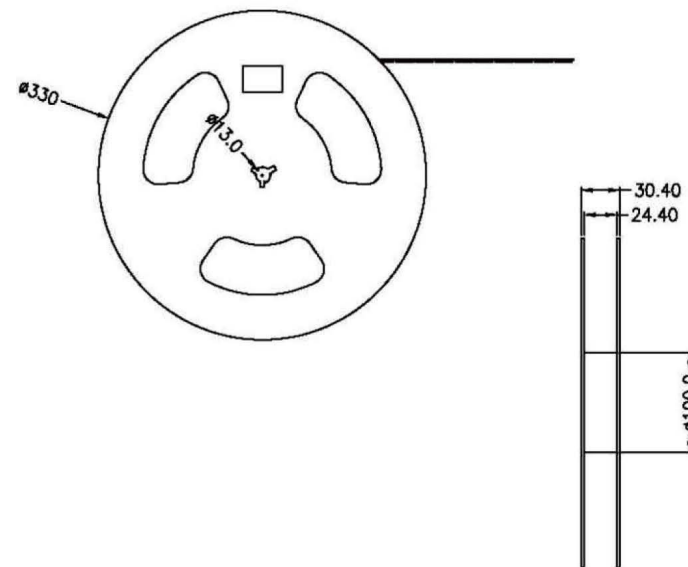
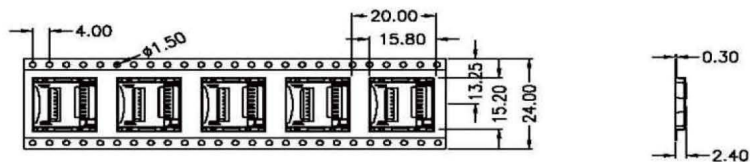
ORDER INFORMATION

TFC-WHCR-08-LF

SERIES REEL 08WAY LEADFREE

90°SMT C / LAYOUT HINGE

DESCRIPTION:



1. 材质要求:

- 1.1 纸箱的材质要求为B-B; 外形尺寸为33*33*38.5CM;
- 1.2 卷盘的材质为PVC; 卷盘的外形尺寸为 $\phi 330 \times 30.4$;
- 1.3 卷带的材质为PVC; 卷带的外形尺寸为30200*24.4*2.7mm

2. 包装要求:

- 2.1 将卷带放入包装机后, 前空5PCS, 后放产品1500PCS, 再后空5PCS; 上带留300MM长度。
- 2.2 将包装好的产品从包装机上取下并包装好;
- 2.3 把累叠好的12盘叠放入纸箱中共计18Knet;
- 2.4 把包装好的成品打包封箱, 并在纸箱外贴上标签

Allconnectors

www.allconnectors.de info@allconnectors.de
Tel.: 0049 711 7009503 Fax: 0049 711 7009504
70794 Filderstadt - Germany Kettnerstr. 25

RoHS Compliant

DRAWING BY CY
CHECKED BY GENIUS
UNIT / mm SCALE 1 : 1
DATE
SIZE A4

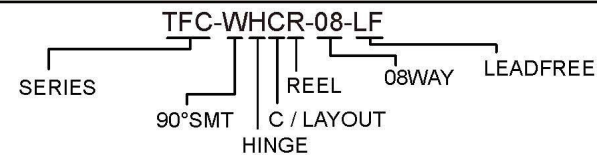
TOLERANCES ARE

X. \pm
.X \pm
.XX \pm
.XXX \pm
ANG \pm

PJECTION



ORDER INFORMATION



DESCRIPTION: