

**NOTES:**

**MATERIAL:**

Housing: High Temperature Thermoplastic, UL 94V-0  
 Contacts: Phosphor bronze  
 Shell: Stainless Steel

**PLATING:**

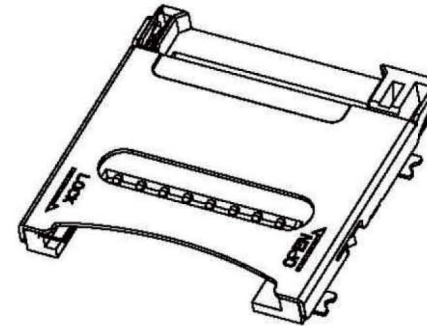
Contacts: Plated 50 μ" Ni Overall  
 Plated Au Selective Contact Area  
 Plated 100 μ" Sn Over Ni On Solder Area

**Electrical:**

Current Rating: 0.5A max.  
 Contact Resistance: 100Ω max  
 Insulation Resistance: 1000Ω min./500VDC  
 Dielectric Withstanding Voltage: 500VAC/minute  
 Operating Temperature: -25°C TO +85°C  
 Mating Cycles: 10,000 times

**Usable Memory Card:**

Micro SD Card



**All Connectors**

www.allconnectors.de info@allconnectors.de  
 Tel.: 0049 711 7009503 Fax: 0049 711 7009504  
 70794 Filderstadt - Germany Kettenerstr. 25

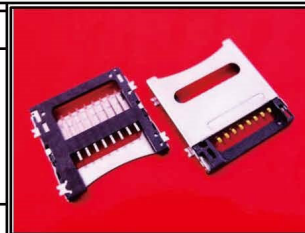
**RoHS Compliant**

DRAWING BY CY  
 CHECKED BY GENIUS  
 UNIT / mm SCALE 1 : 1  
 DATE  
 SIZE A4

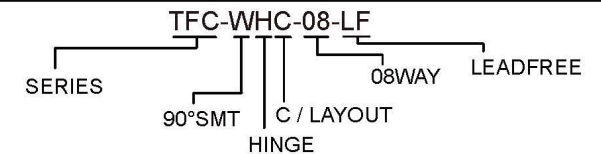
TOLERANCES ARE

X ±  
 .X ±  
 .XX ±  
 .XXX ±  
 ANG ±

P PROJECTION



**ORDER INFORMATION**



**DESCRIPTION:**