

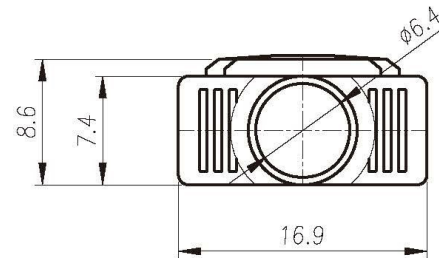
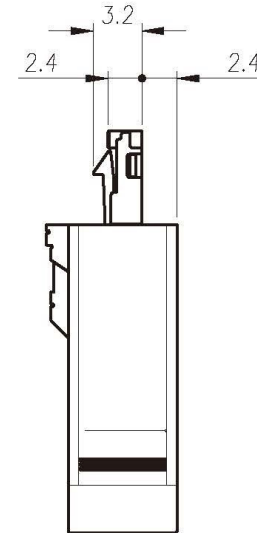
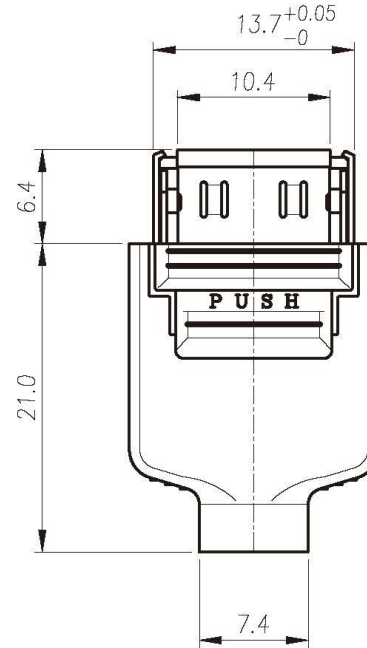
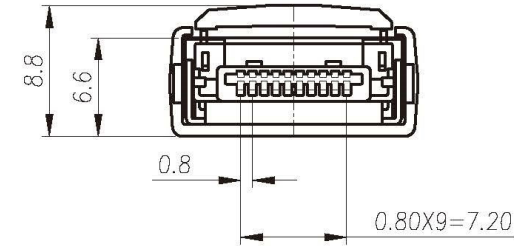
NOTE:

1. MATERIAL:

- 1-1.PLASTIC COVER: C1200(ABC+PC)94-V0
- 1-2.HOUSING: PBT+30GF(BLACK)
- 1-3.METAL UP COVER: NICKEL SILVER
- 1-4.METAL DOWN COVER: BRASS
- 1-5.PIN: PHOSPHOR BRONZE
- 1-6.SPRING: STAINLESS SUS#301

2. PLATING:

- 2-1.PIN:TIN,GOLD 10u"
- 2-2.SHELL:NICKEL 60u"



All Connectors

www.allconnectors.de
Tel.: 0049 711 7009503
70794 Filzstadt - Germany

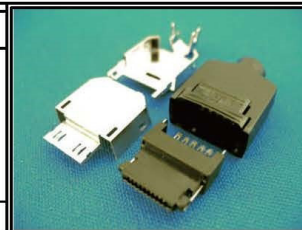
info@allconnectors.de
Fax: 0049 711 7009504
Kettnerstr. 25

RoHS Compliant

DRAWING BY CY	
CHECKED BY GENIUS	
UNIT/ mm	SCALE 1 : 1
DATE	
SIZE A4	PJECTION

TOLERANCES ARE

X ±
.X ±
.XX ±
.XXX ±
ANG ±



ORDER INFORMATION

PCM-PA-10-LF
SERIES | T LEADFREE
| 10WAY
| ASSEMBLY
| MALE

DESCRIPTION: PCMCIA 10PIN