

P=1.00±0.08

1.53

0.78

1.70±0.10

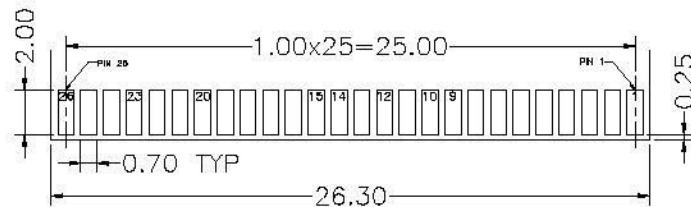
Section A-A

"A"±0.10

1.00

Section B-B

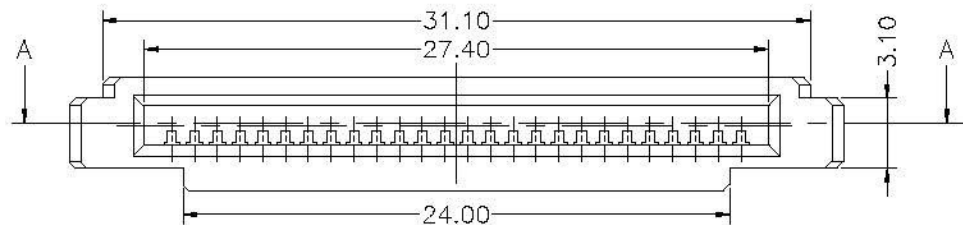
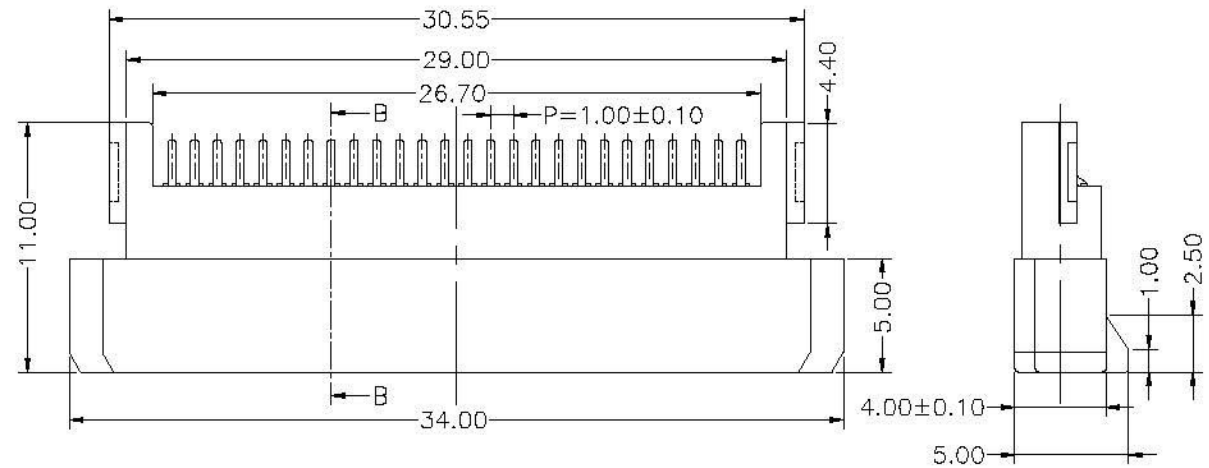
"A"=0.0mm
0.2mm
0.5mm



Recommend P.C.B. layout
Tolerances ±0.05mm

Notes:

- 1). Material:
Insulator: LCP+30% G.F., UL 94V-0 rated, Color Black.
Contact: Phosphor Bronze
- 2). Plating
Contact area: Gold Plating 15 U" over Ni underplate.
Soldering Zone: Tin over Ni. underplate.



All connectors

www.allconnectors.de
tel.: 0049 (0) 49 408 4082
D/49 Hilderstadt - Germany

info@allconnectors.de
fax: 0049 (0) 49 408 404
Kettenerstr. 75

RoHS Compliant

DRAWING BY CY
CHECKED BY GENIUS
UNIT / mm SCALE 1:1
DATE
SIZE A4

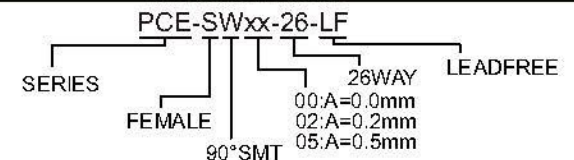
TOLERANCES ARE

X ±
XX ±
XXX ±
ANG ±

PROJECTION



ORDER INFORMATION



DESCRIPTION: Express card connector