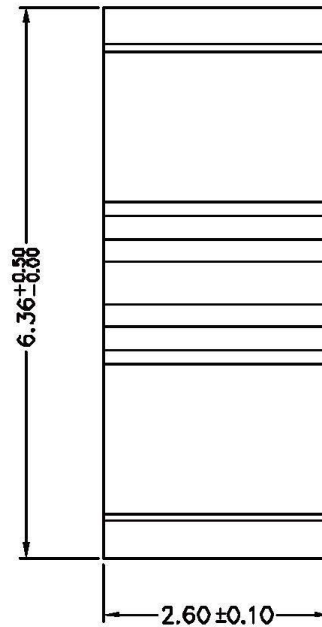
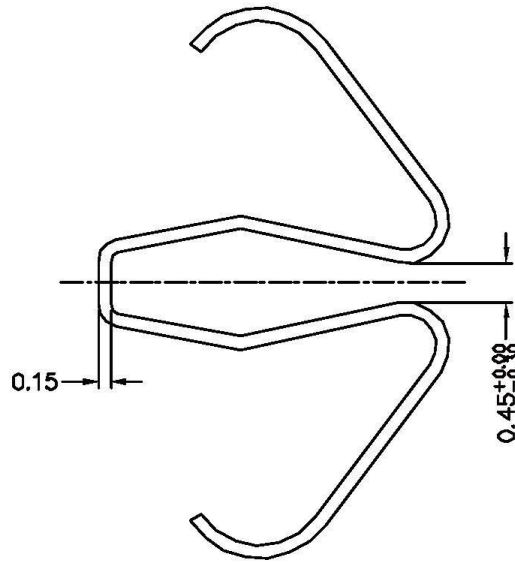
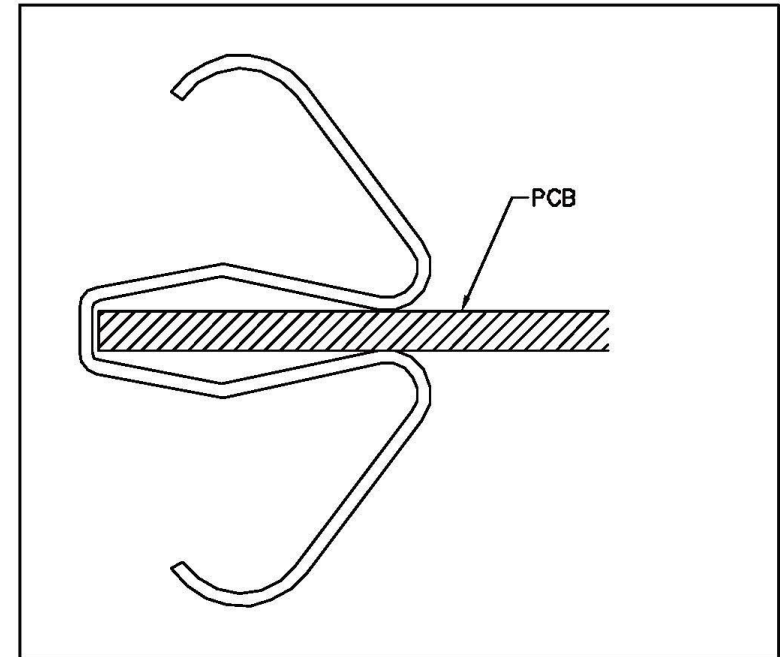


PCE-CL-26

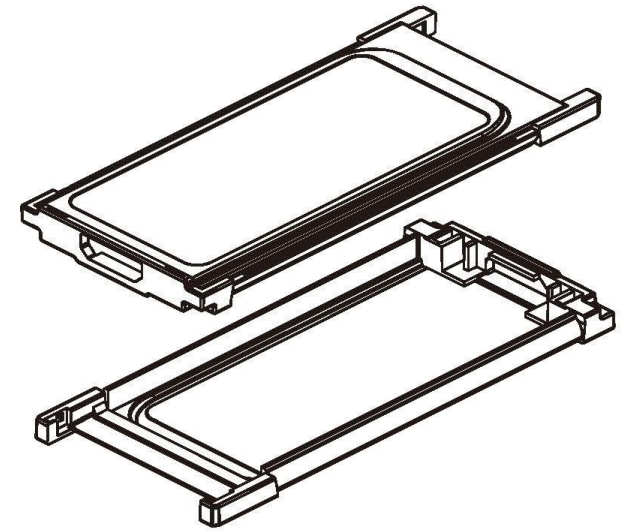
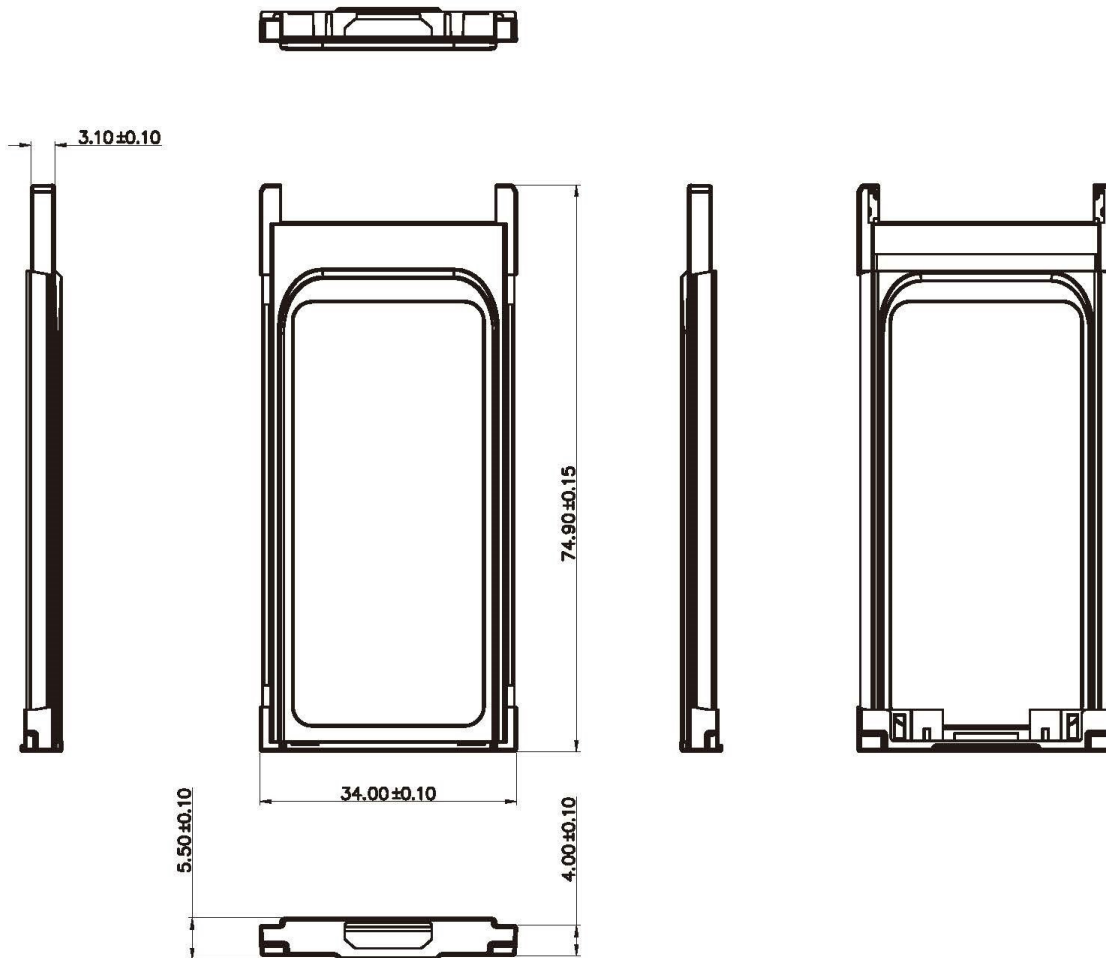


**Note**

- 1. Material: Metal- Phosphor Bronze,
- 2. Thickness 0.15 ± 0.02m/m
- 3. Underplated: Nickel  
Contact Area Plating: Tin(SSE008+NNM)
- 4. Underplated: Nickel  
Contact Area Plating: Gold(SSE008+UAM)

		<b>RoHS Compliant</b>		<b>TOLERANCES ARE</b>	
		DRAWING BY CY		X ±	
CHECKED BY GENIUS		UNIT/ mm		X ±	
SCALE 1 : 1		SCALE 1 : 1		.XX ±	
DATE		DATE		.XXX ±	
SIZE A4		PROJECTION		ANG ±	
www.allconnectors.de		info@allconnectors.de			
Tel.: 0049 711 7009503		Fax: 0049 711 7009504			
70794 Filderstadt - Germany		Kettnerstr. 25			

<b>ORDER INFORMATION</b>		
PCE-CF-26MH-LF		
SERIES	26 WAY TO MINI HDMI	LEADFREE
CARD FRAME		
<b>DESCRIPTION:</b>		



PCE-BM-26MH

Note

- 1.Material:  
Metal–Stainless Steel 301 PF30  
Plastic–Thermoplastic
- 2.Plastic Color Tolerances:  $\Delta E \leq 1.5$

**All connectors**

www.allconnectors.de  
Tel.: 0049 711 7009503  
70794 Filderstadt - Germany

info@allconnectors.de  
Fax: 0049 711 7009504  
Kettenerstr. 25

**RoHS Compliant**

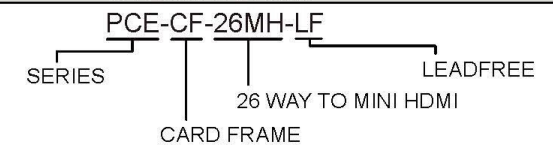
DRAWING BY CY	
CHECKED BY GENIUS	
UNIT/ mm	SCALE 1 : 1
DATE	
SIZE A4	PJECTION

TOLERANCES ARE

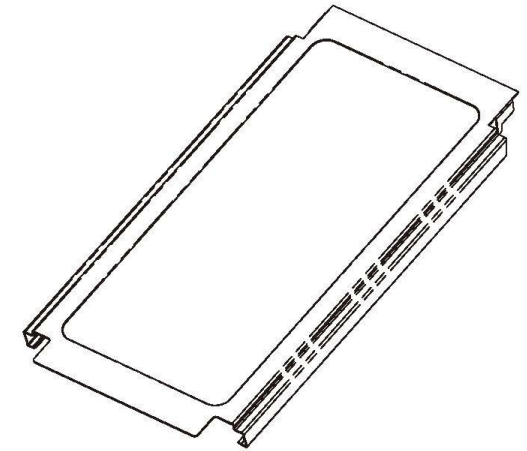
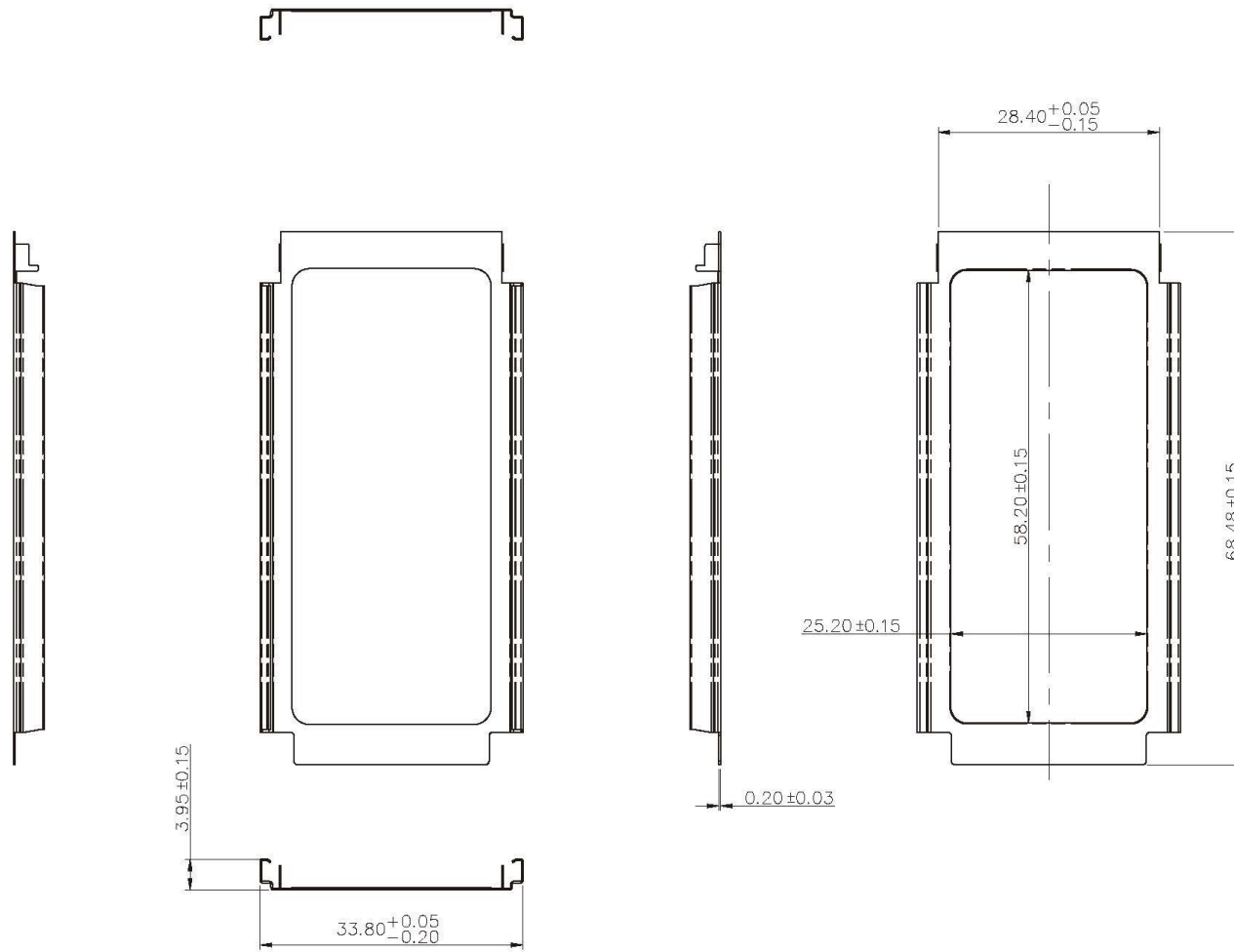
X. ±  
.X ±  
.XX ±  
.XXX ±  
ANG ±



**ORDER INFORMATION**



**DESCRIPTION: Bottom Assembly for Express card/34**



PCE-CV-26

Note  
 1. Material:  
**Metal-Stainless Steel 301 PF30**

**Allconnectors**

www.allconnectors.de info@allconnectors.de  
 Tel.: 0049 711 7009503 Fax: 0049 711 7009504  
 70794 Filderstadt - Germany Kettnerstr. 25

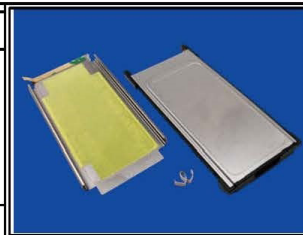
**RoHS Compliant**

DRAWING BY CY  
 CHECKED BY GENIUS  
 UNIT/ mm SCALE 1 : 1  
 DATE  
 SIZE A4

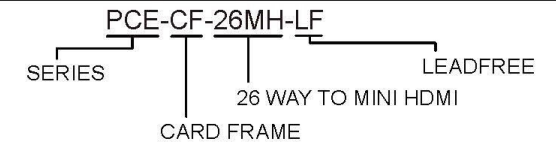
TOLERANCES ARE

X ±  
 .X ±  
 .XX ±  
 .XXX ±  
 ANG ±

PJECTION



**ORDER INFORMATION**



**DESCRIPTION: Top Stainless Cover / 34mm**