

P/N	VOLT		"Y"		STAND-OFF	REMARK
	3.3V	5V	M2	ø2.1	"Z"	
● PCCB1-PWL00V3RNS-68	✓		✓		0.0	
PCCB1-PWL22V3RNS-68	✓		✓		2.2	
PCCB1-PWL50V3RNS-68	✓		✓		5.0	
PCCB1-PWL55V3RNS-68	✓		✓		5.5	
	✓			✓	0.0	
	✓			✓	2.2	
	✓			✓	5.0	
	✓			✓	5.5	
PCCB1-PWL00V5RNS-68		✓	✓		0.0	
PCCB1-PWL22V5RNS-68		✓	✓		2.2	
PCCB1-PWL50V5RNS-68		✓	✓		5.0	
PCCB1-PWL55V5RNS-68		✓	✓		5.5	
		✓		✓	0.0	
		✓		✓	2.2	
		✓		✓	5.0	
		✓		✓	5.5	

- MATERIAL:
 - (A) HEADER HOUSING : G.F. THERMOPLASTIC UL94V-0, BLACK.
 - PIN : COPPER ALLOY
 - (B) EJECT MECHANISM GUIDE : G.F. THERMOPLASTIC UL94V-0, BLACK.
 - EJECT & PLATE : STEEL.
 - PUSH BUTTON : THERMOPLASTIC UL94V-0, BLACK.
- DIMENSION "X" :
 - X=5.00mm : PIN No.1,17,34,35,51,68
 - X=3.50mm : PIN No.36,67
 - X=4.25mm : OTHERS
- FINISH:
 - PIN ALL Ni UNDER PLATING
 - GOLD PLATING ON FRONT CONTACT AREA.
- GENERAL TOLERANCE : ±0.3
- LAYOUT DWG. No.:P-ADB-232



PART NO. PCCB1-PWLxxVxRNS-68

www.allconnectors.de
 info@allconnectors.de
 70795 Eilsenstadt - Germany

DWG NO. PCCB1-PWLxxVxRNS-68

CHECKED BY CY

TOLERANCES ARE

DESCRIPTION:

FILE NO.

DRAWING BY

.X ± 0.2
.XX ±
.XXX ±
AWG

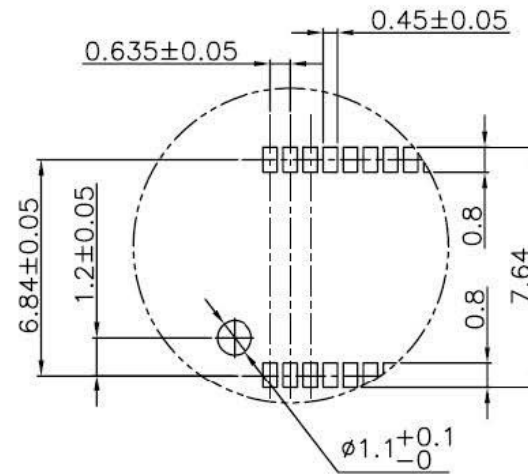
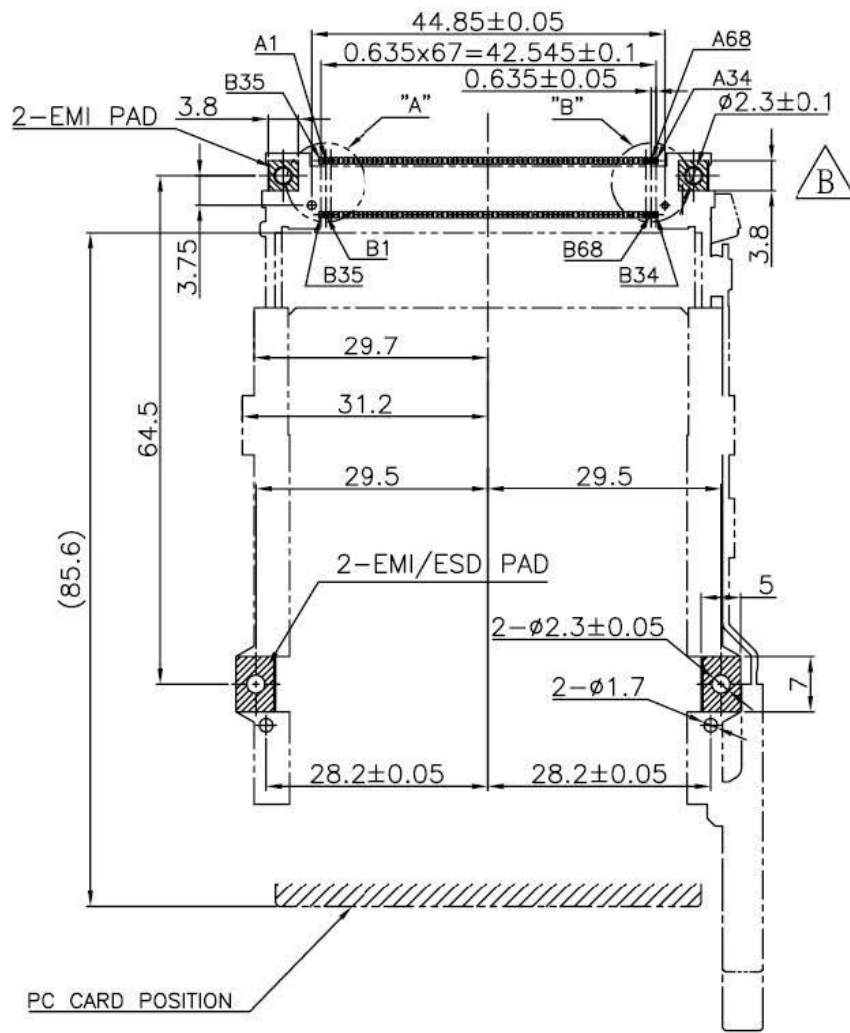
AREA REVISIONS HK DATE

UNIT / mm

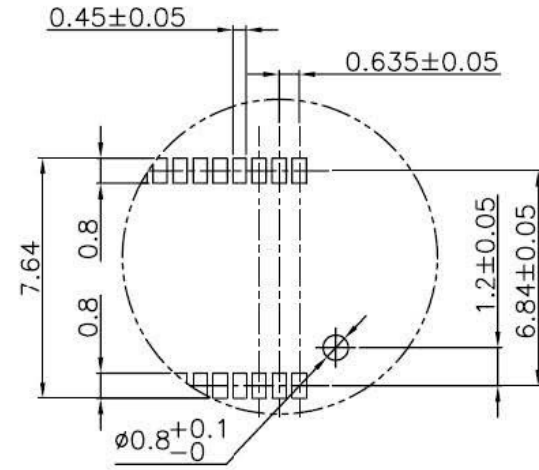
SCALE 1:1

PROJECTION

AREA REVISIONS HK DATE



DETAIL "A"
4 : 1



DETAIL "B"
4 : 1

RECOMMENDED PCB LAYOUT
(1) STAND OFF 0.0mm ONLY

All Connectors

www.allconnectors.de
Tel: +49 67 71 206920
22759 Elmstedt - Germany

in Fachhandel und
Elektronik
Kaufhäuser

PART NO. PCCB1-PWLxxVxRNS-68

DWG NO. PCCB1-PWLxxVxRNS-68

FILE NO.

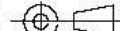
UNIT / mm

SCALE 1:1

CHECKED BY CY

DRAWING BY

PROJECTION



TOLERANCES ARE

.X±0.2
XX±
XXX±
AWG

DESCRIPTION:

AREA

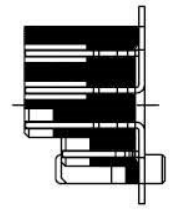
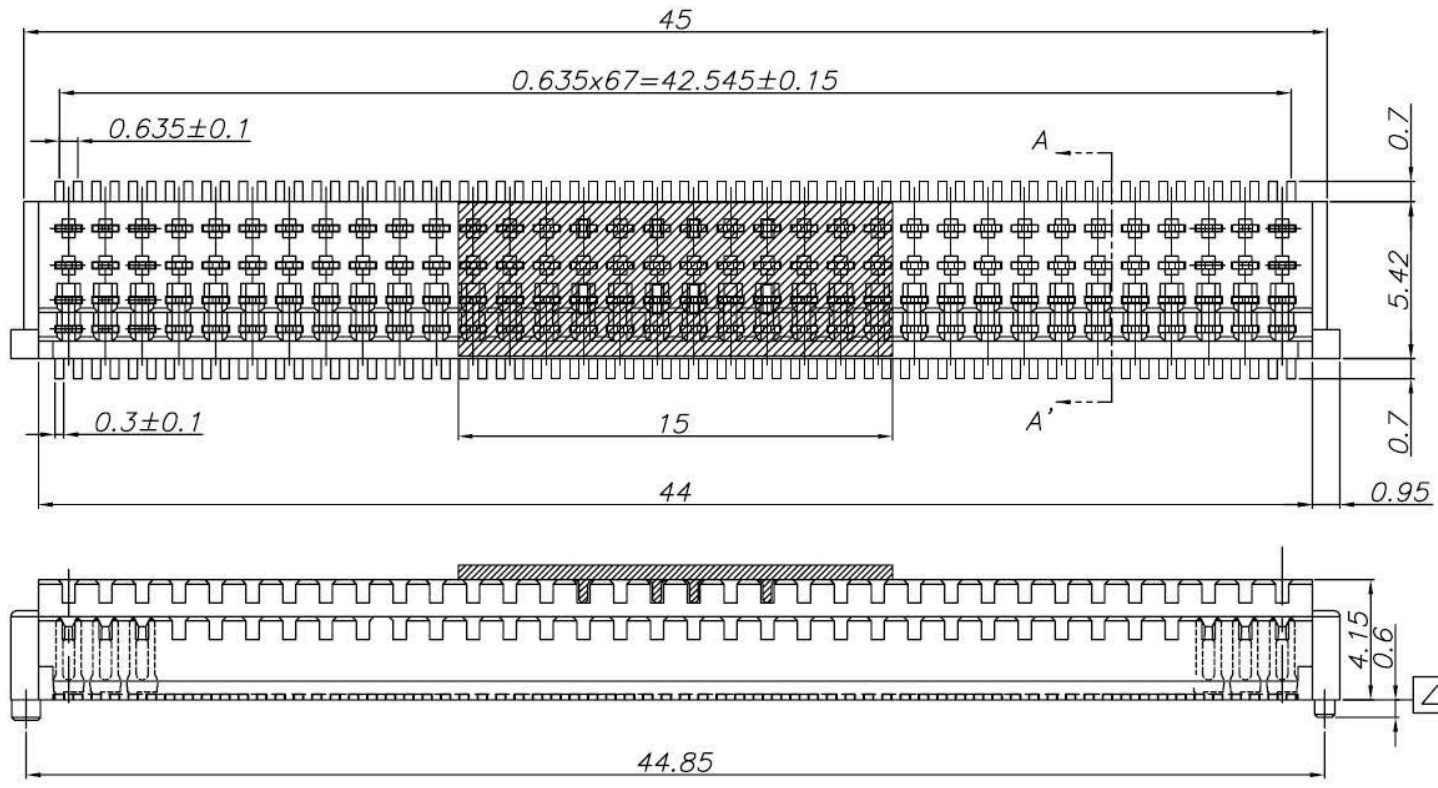
REVISIONS

HK

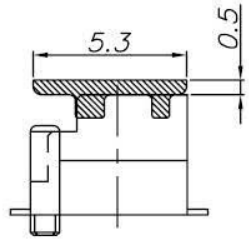
DATE

1 2 3 4 5 6 7 8 9 0

J
I
H
G
F
E
D
C
B
A



SECT.A-A'



NOTES;

1. MATERIALS :
HOUSING - HIGH TEMPERATURE POLYESTER.
CONTACT - COPPER ALLOY.
2. FINISH :
UNDER PLATING : NICKEL 60u"(min.)ALL OVER.
CONTACT AREA :GOLD PLATING
SOLDER AREA : GOLD PLATING
3. OPERATING TEMPERATURE : -40°C ~ +85°C.

P/N	PACKING
	TUBE
	TAPE & REEL

5. GENERAL TOLERANCE:±0.20

All Connectors

www.allconnectors.de
Tel.: 0049 711 7007500
70794 Filderstadt - Germany

info@allconnectors.de
Fax: 0049 711 7007504
Kettelerstr. 25

PART NO. PCCB1-PWL00V3RNS-68

DWG NO. PCCB1-PWL00V3RNS-68

FILE NO.

UNIT / mm

SCALE 1:1

CHECKED BY CY

DRAWING BY

PROJECTION

TOLERANCES ARE

X ± 0.2
XX ±
XXX ±
AWG

DESCRIPTION:			
AREA	REVISIONS	HK	DATE