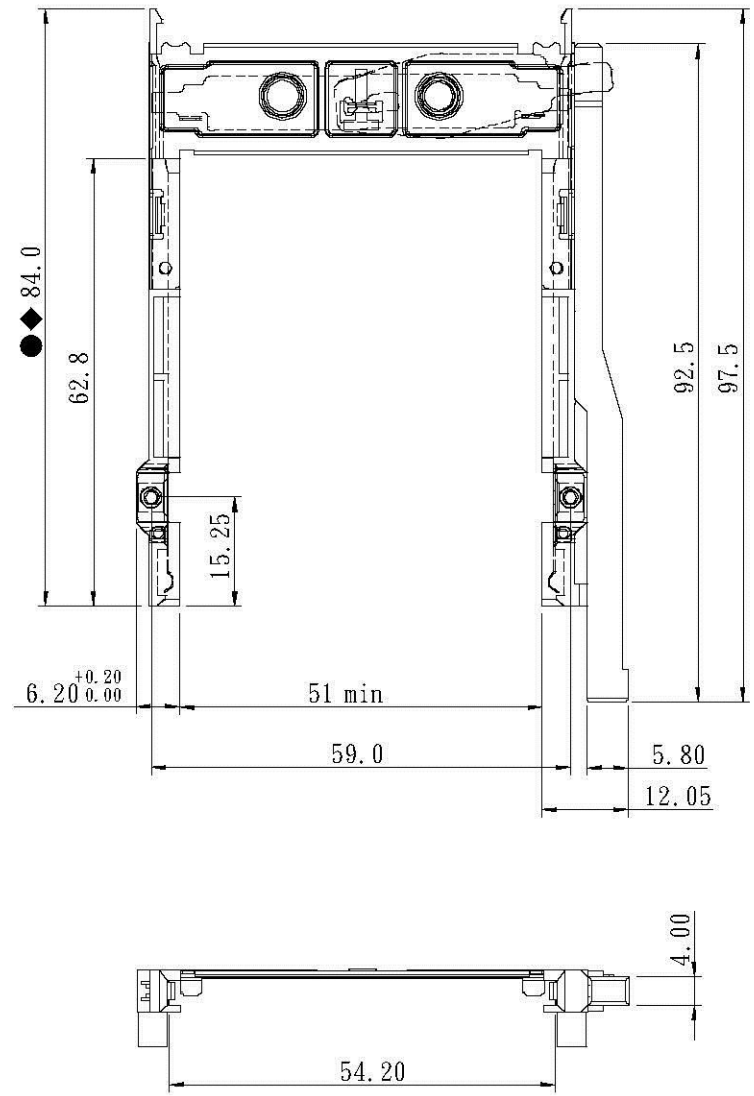


1 2 3 4 5 6 7 8 9 0

J
I
H
G
F
E
D
C
B
A

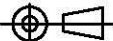


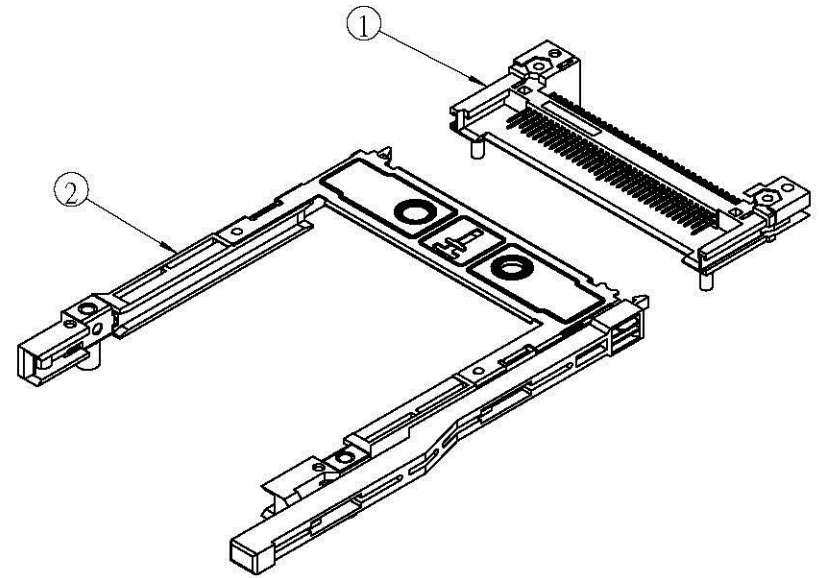
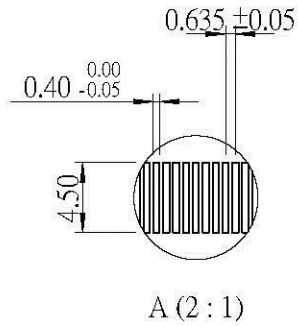
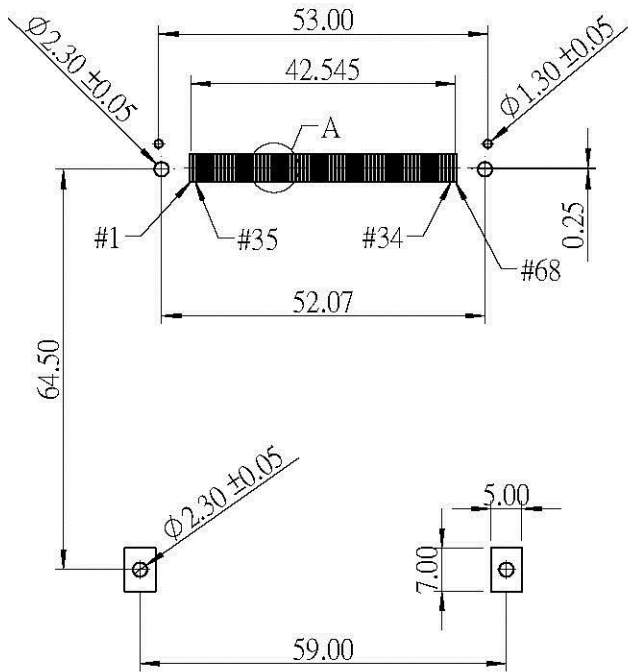
PCC-PWL40V3RS9-68-LF
LEADFREE
RoHS Compliant

Allconnectors

www.allconnectors.de
tel.: 0049 (0) 709 9508
70794 Hilderstadt - Germany

info@allconnectors.de
fax: 0049 (0) 709 9501
Ketbemerstr. 22

PART NO. PCC-PWL40V3RS9-68		CHECKED BY CY		TOLERANCES ARE		DESCRIPTION: PCMCIA ASSEMBLY			
DWG NO. PCC-PWL40V3RS9-68		DRAWING BY		.X ± 0.2 .XX ± .XXX ± AWG		AREA			
FILE NO.		PROJECTION 		REVISIONS		HK		DATE	
UNIT / mm	SCALE 1:1								



PCB LAYOUT : COMPONENT SIDE

ITEM	NAME
1	HEADER
2	EJECTOR

Allconnectors

www.allconnectors.de
Tel.: 0344 711 2000/100
20751 Filoerstadt - Germany

info@allconnectors.de
Fax: 0344 711 2030/300
Kettnerstr. 25

PART NO. PCC-PWL40V3RS9-68

DWG NO. PCC-PWL40V3RS9-68

CHECKED BY CY

FILE NO.

DRAWING BY

TOLERANCES ARE

.X ± 0.2
.XX ±
.XXX ±
AWG

DESCRIPTION:

UNIT / mm

SCALE 1:1

PROJECTION



AREA

REVISIONS

HK

DATE