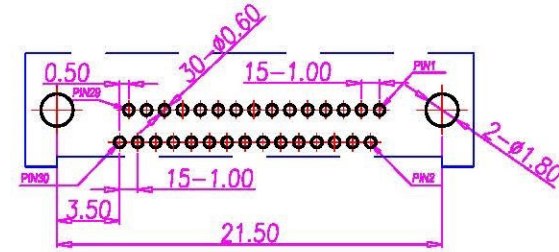
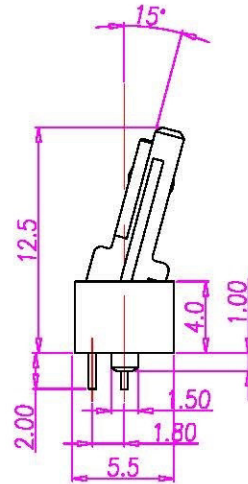
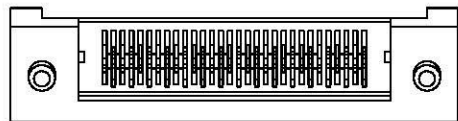
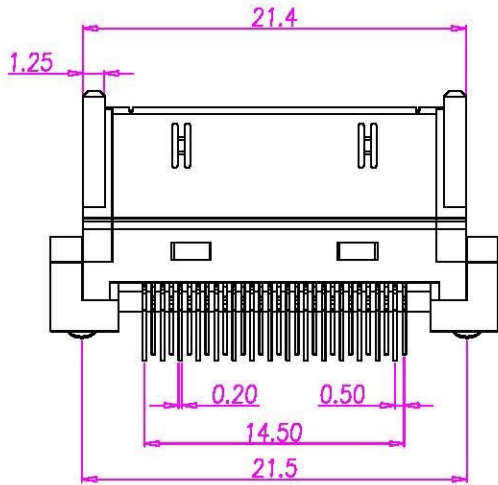
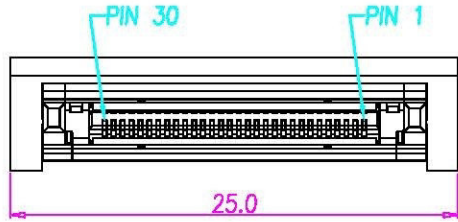


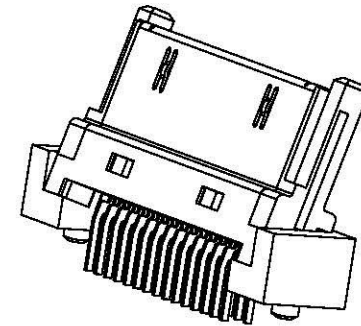
This document is the property of Nan-Yeong Corporation and is delivered on the express condition that it is not to be disclosed, reproduced or used, in whole or in part, for manufacture or sale by anyone other than Nan-Yeong Corporation without its prior consent, and that no right is granted to disclose or to use any information in this document.

CUSTOMER DRAWING

REV.	DESCRIPTION	APPVL. BY	DATE	ECN NO.
A	RELEASE	Fido Veng	06/05/09	
B	ADD TABLE A	Fido Veng	18/06/09	ECN09096
C				



RECOMMENDED PC BOARD LAYOUT
 PCB THICKNESS 1.58±0.05mm
 TOLERANCE: ±0.05mm[TOP VIEW]



- MATERIAL :
 - 1-1. HOUSING : PBT UL94V-0 ; COLOR : GRAY
 - 1-2. CONTACT : PHOSPHOR BRONZE
 - 1-3. SHELL COVER: STAINLESS STEEL
 - 1-3. BASE SIT: PBT UL94V-0 ; COLOR : GRAY
- FINISH :
 - 2-1. CONTACT :
 - CONTACT AREA : 3 MICRO INCHES MIN. GOLD PLATED
 - SOLDER AREA :SEE TABLE A
 - UNDER PLATE : NICKEL

TABLE A

P/N	DESCRIPTION	FINISH
PC-30M2-16	iPOD 30PIN (M) 15度板端用(端子表面)	GOLD FLASH
PC-30M2-06	iPOD 30PIN (M) 15度板端用	BRIGH TIN 80u"

DRAW	Emly Suen	APPVL	UNIT	mm	TOLERANCE	SCALE	1:1	ANGULA	±1°	www.allconnectors.de	Info@allconnectors.de	TITLE	iPOD 30PIN(M)板端用	SHEET	1	
CHECK					XX ±0.20 XXX ±0.10 XXXX ±0.05 XXXXX ±0.03					70734 Filderstadt Germany	1434420/01/010P/PAW Kettenhofstr. 25	PART NO.	SEE TABLE A	DWG NO.	QC2482	VERSION B