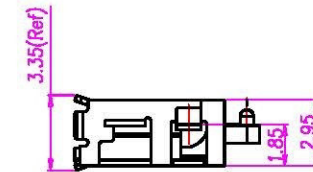
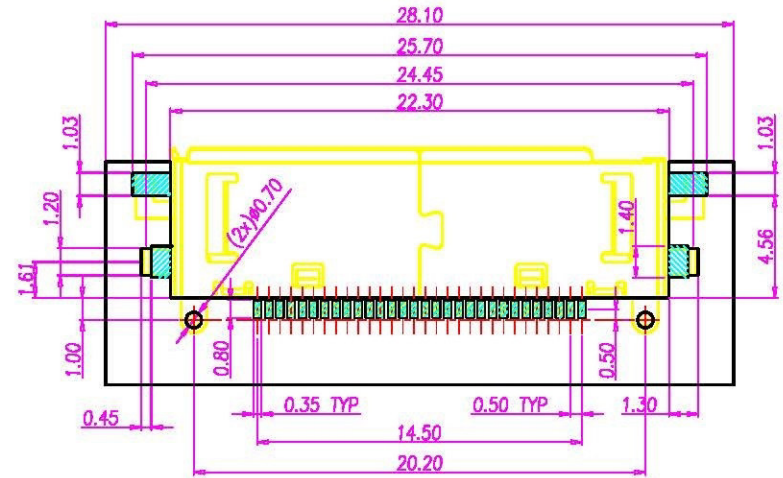
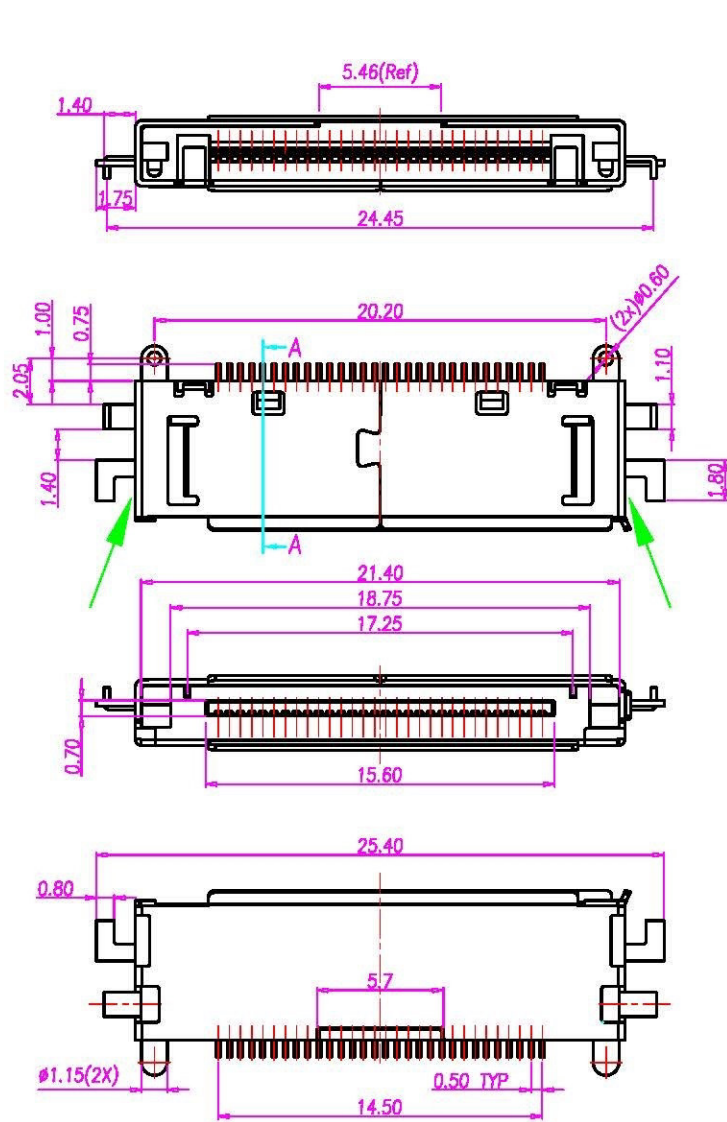


This document is the property of Nan-Yeong Corporation and is delivered on the express condition that it is not to be disclosed, reproduced or used, in whole or in part, for manufacture or sale by anyone other than Nan-Yeong Corporation without its prior consent, and that no right is granted to disclose or to use any information in this document.

CUSTOMER DRAWING

| REV. | DESCRIPTION | APPVL. BY | DATE | ECN NO. |
|------|-------------|-----------|----------|---------|
| A | RELEASE | Fido Veng | 22/12/08 | |
| B | | | | |
| C | | | | |



NOTE:

- MATERIAL :**
 - HOUSING : LCP UL94V-0 ; COLOR : BLACK
 - CONTACT : PHOSPHOR BRONZE
 - SHELL : PHOSPHOR BRONZE
- FINISH :**
 - CONTACT :
 - CONTACT AREA : 5 MICRO INCHES MIN. GOLD PLATED
 - SOLDER AREA : TIN
 - UNDER PLATE : NICKEL
 - SHELL : NICKEL PLATED 50u" ~ 100u" OVER ALL
- ELECTRICAL PROPERTIES:**
 - RATED CURRENT:0.5A.
 - INSULATION RESISTANCE:1000 MEGAOHMS AT 250 VDC.
 - DIELECTRIC WITHSTANDING VOLTAGE: 100V AC/1 MINUTE .
 - CONTACT RESISTANCE Max:50 MILLIOHMS.

| DRAW | APPVL. | UNIT | PR | TOLERANCE | All connectors | | TITLE | IPOD 30PIN 反式 | | | SHEET |
|-------|--------|-------|-----|--|----------------------|-----------------------|----------|---------------|---------|--------|--------------|
| CHECK | | SCALE | 1:1 | X ±0.20 XX ±0.10 XXX ±0.05 XXXX ±0.03 ANGULA ±1° | www.allconnectors.de | info@allconnectors.de | PART NO. | PC-30F4-12 | DWG NO. | QC3389 | VERSION A |